

MISCELLANEOUS INFORMATION

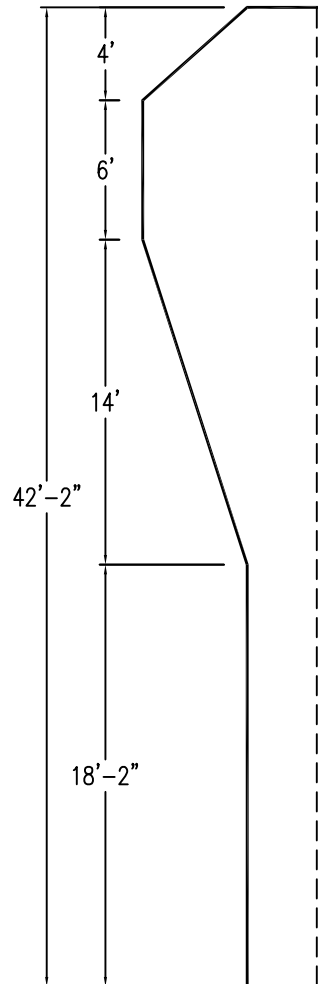
PERIMETER:-	110'2"
SURFACE AREA:	725.2 SQ FT
VOLUME:	19578 IMP GALS 89079 L

CONCRETE DECK INFO

WIDTH	AREA	NET INCREASES FOR:			
		STEPS	DIVING	SLIDE	ROLLER
2'	208	13	27	24	10
2'6"	271	17	31	20	10
3'	335	20	36	16	10

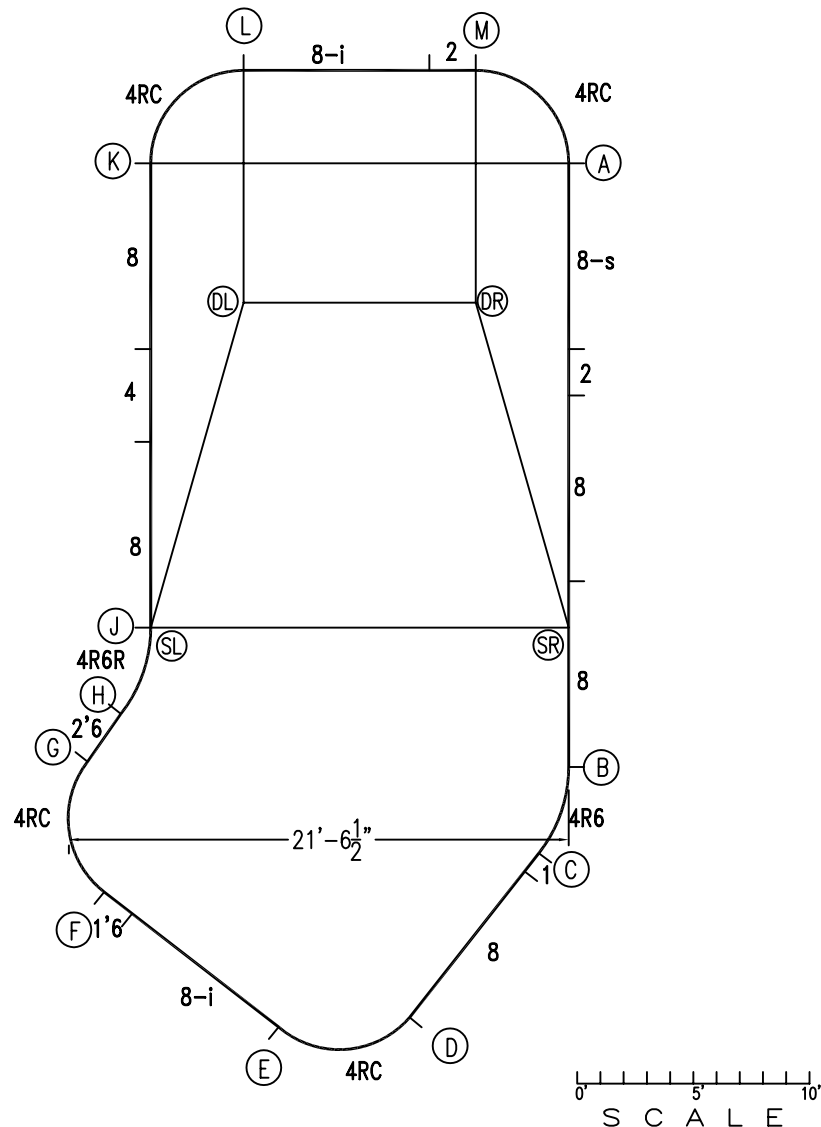
All Figures Represent "Sq Ft"

6" WATER LINE -||-



PARTS LIST

CODE	QTY	DESCRIPTION
8-s	1	8' Skimmer
8-i	2	8' Return
8	5	8' Plain
4	1	4' Plain
2'6	1	2'6 Plain
2	2	2' Plain
1'6	1	1'6 Plain
1	1	1' Plain
4RC	4	6'3-1/2" Plain x 4' Radius
4R6	1	4' Plain x 6' Radius
4R6R	1	4' Plain x 6' Reverse Radius
AF	20	A-Frame
S	40	Stake
NB	120	Nuts & Bolts



INSTALLATION DATA

From Point "A" to:-		From Point "B" to:-	
B	26'-0"	B	3'-11 1/8"
C	29'-8 7/8"	C	12'-9 1/4"
D	37'-4 7/8"	D	16'-9 1/4"
E	39'-2 7/8"	E	20'-8 1/2"
F	37'-2 1/2"	F	20'-8 5/8"
G	33'-0 3/4"	G	19'-5"
H	30'-6 3/4"	H	18'-11 5/8"
J	26'-10 7/8"	J	31'-7 1/2"
K	18'-0"	K	33'-1 1/4"
L	14'-6 3/4"	L	30'-3 1/8"
M	5'-7 7/8"	SL	18'-11 5/8"
SL	26'-10 7/8"	SR	6'-0"
SR	20'-0"	DL	24'-4 7/8"
DL	15'-2 3/4"	DR	20'-4 3/4"
DR	7'-2 1/2"		

NOTICE

SWIMMING POOLS AND ACCESSORIES (INCLUDING DIVING BOARDS) ARE DANGEROUS WHEN IMPROPERLY USED OR INSTALLED. IT IS THE RESPONSIBILITY OF MUNICIPAL OFFICIALS, BUILDERS AND POOL OWNERS TO ADHERE TO ALL SAFETY RECOMMENDATIONS AND STANDARDS ISSUED BY THE POOL & HOT TUB COUNCIL, LOCAL AUTHORITIES AND EQUIPMENT MANUFACTURERS. PLEASE REFER TO DIVING BOARD MANUFACTURERS FOR CORRECT POSITIONING AND INSTALLATION OF DIVING EQUIPMENT.

AQUAPRO

LAZY-L CATALINA - LEFT 18 x 42

DRAWING REFERENCE #
19-18-42-1

DRAWN BY: JB
REV. 5 FEB 2007
SHEET 1 OF 2

