

MISCELLANEOUS INFORMATION

PERIMETER:- 94'2"
SURFACE AREA: 541 SQ FT
VOLUME: 15857 IMP GALS 72151 L

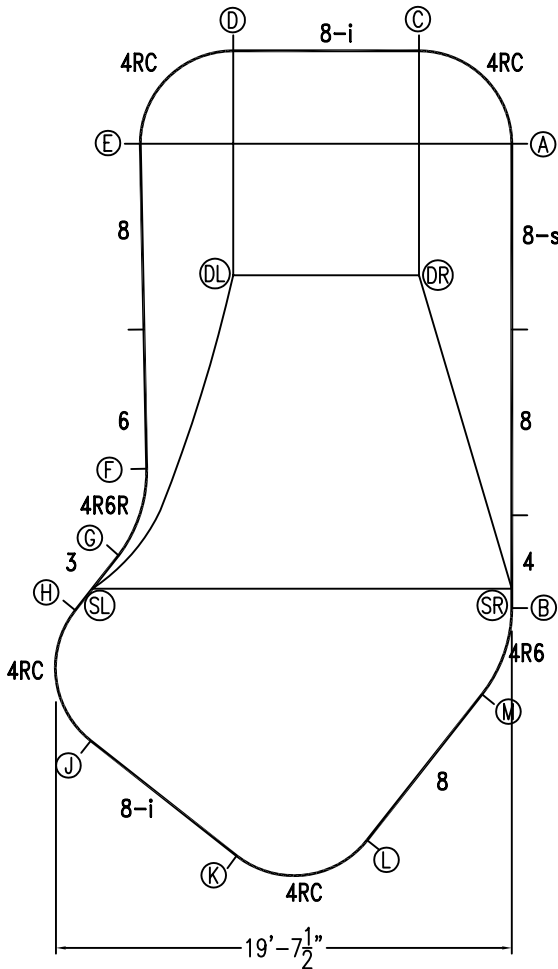
CONCRETE DECK INFO

WIDTH	AREA	NET INCREASES FOR:			
		STEPS	DIVING	SLIDE	ROLLER
2'	201	13	27	24	10
2'6"	255	17	31	20	10
3'	311	20	36	16	10

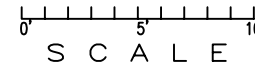
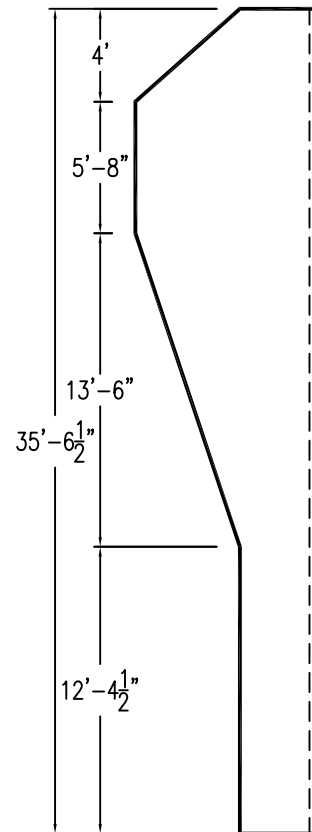
All Figures Represent "Sq Ft"

PARTS LIST

CODE	QTY	DESCRIPTION
8-s	1	8' Skimmer
8-i	2	8' Return
8	3	8' Plain
6	1	6' Plain
3	1	3' Plain
4	1	4' Plain
4RC	4	6'3-1/2" Plain x 4' Rad Cnr
4R6	1	4' Plain x 6' Radius
4R6R	1	4' Plain x 6' Reverse Radius
AF	15	A-Frame
S	30	Stake
NB	90	Nuts & Bolts



6" WATER LINE - I - I -



INSTALLATION DATA

From Point "A" to:-		From Point "B" to:-	
B	20'-0"	B	24'-3 7/8"
C	5'-7 7/8"	C	24'-3 7/8"
D	12'-7 3/4"	D	26'-9 7/8"
E	16'-0"	E	25'-7 3/8"
F	21'-0 5/8"	F	16'-10"
G	24'-6 1/4"	G	17'-1 1/8"
H	27'-6 1/4"	H	18'-9 5/8"
J	31'-5 1/2"	J	19'-0 1/8"
K	32'-10 1/2"	K	15'-11 1/4"
L	30'-7 5/8"	L	11'-9 3/8"
M	23'-8 7/8"	M	3'-11 1/8"
SL	26'-4 1/8"	SL	18'-1 1/8"
SR	19'-2"	SR	0'-9 7/8"
DL	13'-3 1/4"	DL	18'-8 3/8"
DR	6'-11 1/4"	DR	14'-10 5/8"

NOTICE

SWIMMING POOLS AND ACCESSORIES (INCLUDING DIVING BOARDS) ARE DANGEROUS WHEN IMPROPERLY USED OR INSTALLED. IT IS THE RESPONSIBILITY OF MUNICIPAL OFFICIALS, BUILDERS AND POOL OWNERS TO ADHERE TO ALL SAFETY RECOMMENDATIONS AND STANDARDS ISSUED BY THE POOL & HOT TUB COUNCIL, LOCAL AUTHORITIES AND EQUIPMENT MANUFACTURERS. PLEASE REFER TO DIVING BOARD MANUFACTURERS FOR CORRECT POSITIONING AND INSTALLATION OF DIVING EQUIPMENT.

AQUAPRO

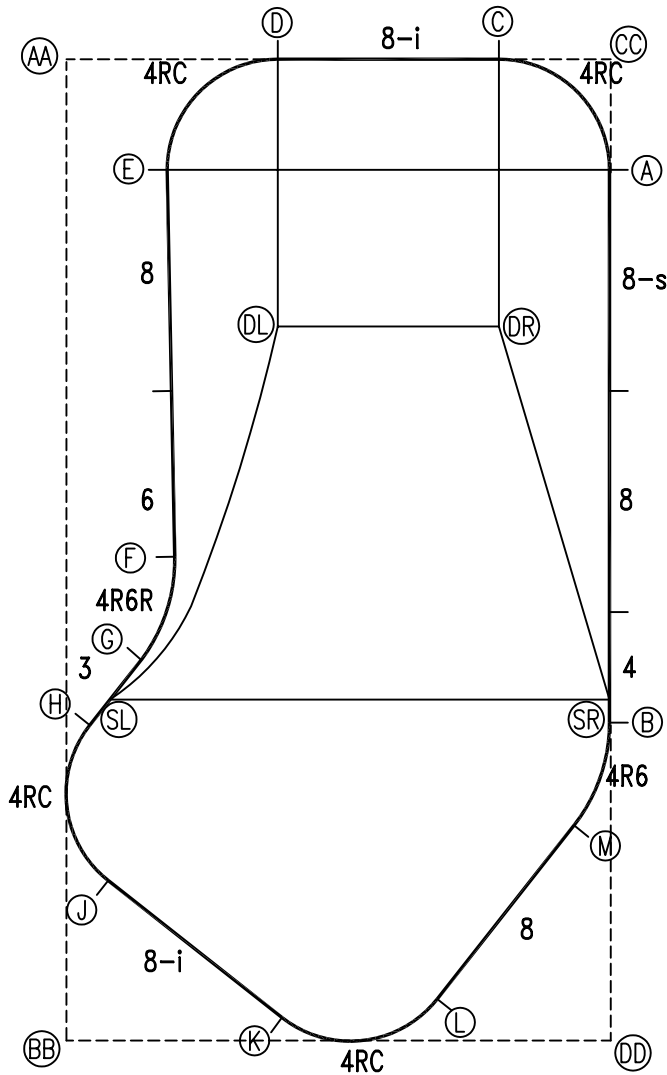
LAZY-L CATALINA - LEFT 16 x 36

DRAWING REFERENCE #
19-16-36-1

DRAWN BY: JB
REV. 5 FEB 2007
SHEET 1 OF 2

EXTERNAL INSTALLATION DATA

AA TO:	BB TO:	CC TO:	DD TO:
AA ---	AA 35'-5 7/8"	AA 19'-8 1/4"	AA 40'-7 1/8"
BB ---	BB ---	BB 40'-7 1/8"	BB 19'-8 1/4"
CC ---	CC ---	CC ---	CC 35'-5 7/8"
A 20'-1 1/8"	A 37'-1 3/4"	A 4'-0"	A 31'-5 7/8"
B 31'-0 1/8"	B 22'-9 1/8"	B 24'-0"	B 11'-5 7/8"
C 15'-7 3/4"	C 38'-9 1/2"	C 4'-0 1/2"	C 35'-8 3/4"
D 7'-8 1/4"	D 36'-3 7/8"	D 12'-0"	D 37'-5 5/8"
E 5'-4 7/8"	E 31'-8 1/2"	E 16'-6 1/2"	E 35'-4 1/4"
F 18'-5"	F 17'-11 1/4"	F 23'-11 1/8"	F 23'-6 3/4"
G 21'-10 3/4"	G 14'-0 3/8"	G 27'-6 7/8"	G 21'-10 3/8"
H 24'-1 1/4"	H 11'-5 1/4"	H 30'-7"	H 22'-0 3/8"
J 29'-8 7/8"	J 5'-11 3/4"	J 34'-9 7/8"	J 19'-0 7/8"
K 35'-6 3/8"	K 7'-10 1/8"	K 36'-7 3/4"	K 11'-11 1/8"
L 36'-6 1/2"	L 13'-5 7/8"	L 34'-6 7/8"	L 6'-5 1/2"
M 33'-2 7/8"	M 19'-11 3/8"	M 27'-8 7/8"	M 7'-10 3/4"
SL 23'-2 5/8"	SL 12'-5 1/8"	SL 29'-4 7/8"	SL 21'-10 7/8"
SR 30'-4 1/2"	SR 23'-2 3/8"	SR 23'-2"	SR 12'-3 7/8"
DL 12'-3 7/8"	DL 26'-11 1/4"	DL 15'-5 3/8"	DL 28'-6"
DR 18'-4 3/4"	DR 30'-2 3/8"	DR 10'-5 3/4"	DR 26'-1 3/4"



0' 5' 10'
SCALE

NOTICE

SWIMMING POOLS AND ACCESSORIES (INCLUDING DIVING BOARDS) ARE DANGEROUS WHEN IMPROPERLY USED OR INSTALLED. IT IS THE RESPONSIBILITY OF MUNICIPAL OFFICIALS, BUILDERS AND POOL OWNERS TO ADHERE TO ALL SAFETY RECOMMENDATIONS AND STANDARDS ISSUED BY THE POOL & HOT TUB COUNCIL, LOCAL AUTHORITIES AND EQUIPMENT MANUFACTURERS. PLEASE REFER TO DIVING BOARD MANUFACTURERS FOR CORRECT POSITIONING AND INSTALLATION OF DIVING EQUIPMENT.

AQUAPRO

LAZY-L CATALINA - LEFT 16 x 36

DRAWING REFERENCE #

19-16-36-1

DRAWN BY: JB

REV. 5 FEB 2007

SHEET 2 OF 2