

**MISCELLANEOUS INFORMATION**

PERIMETER:-	111'-10"
SURFACE AREA:	810 SQ FT
VOLUME:	22192 IMP GALS 100974 L

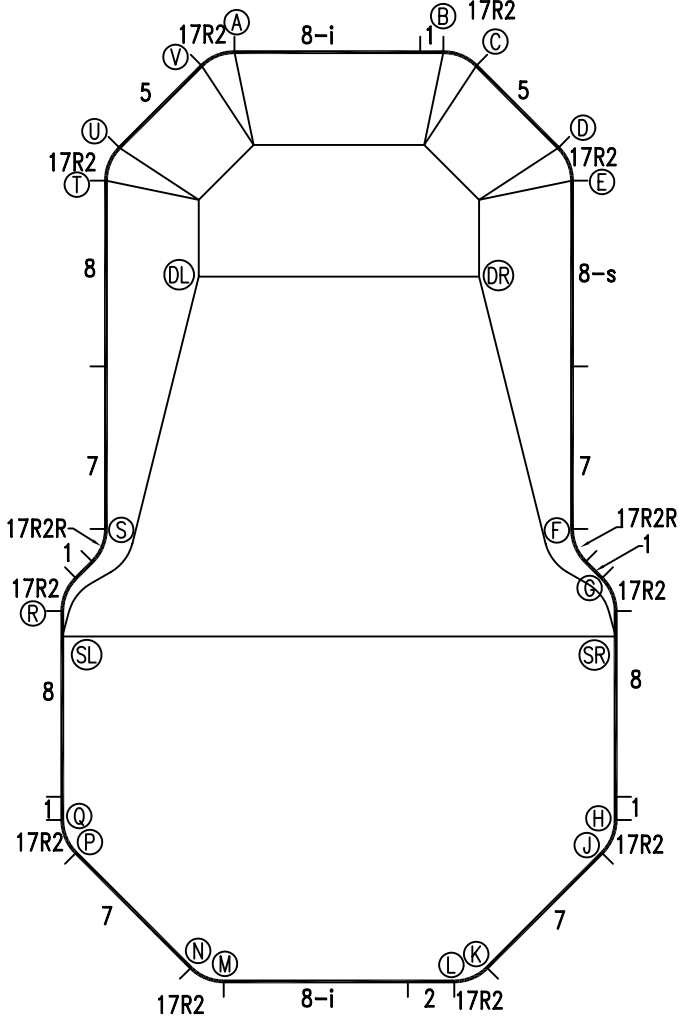
**CONCRETE DECK INFO**

WIDTH	AREA	NET INCREASES FOR:			
		STEPS	DIVING	SLIDE	ROLLER
2'	263	13	27	24	10
2'6"	299	17	31	20	10
3'	363	20	36	16	10

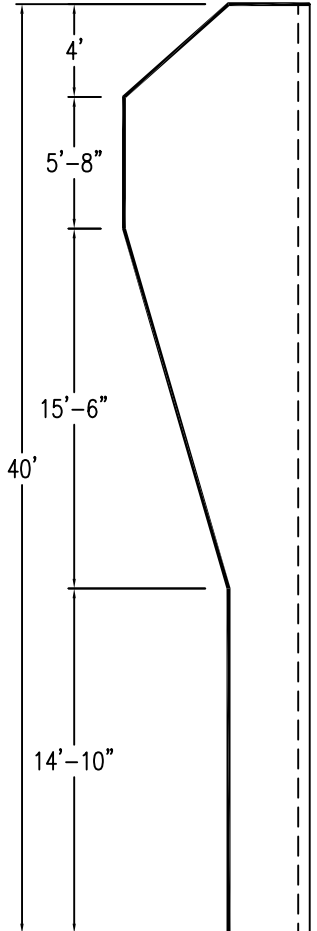
All Figures Represent "Sq Ft"

**PARTS LIST**

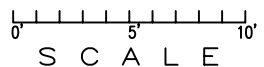
CODE	QTY	DESCRIPTION
8-s	1	8' Skimmer
8-i	2	8' Return
2	1	2' Plain
8	3	8' Plain
7	4	7' Plain
5	2	5' Plain
1	5	1' Plain
17R2	10	1'7" Plain x 2' Radius
17R2R	2	1'7" Plain x 2' Reverse Rad
AF	30	A-Frame
S	60	Stake
NB	180	Nuts & Bolts



6" WATER LINE - I I -



\*ALL DIMENSIONS ARE FINISHED



**INSTALLATION DATA**

From Point "A" to:-		From Point "B" to:-	
B	9'-0"	B	
C	10'-5 1/8"	C	1'-6 3/8"
D	14'-6 1/2"	D	6'-5 1/4"
E	15'-6 5/8"	E	7'-9 7/8"
F	25'-1 7/8"	F	21'-3 1/4"
G	27'-7 5/8"	G	23'-7 7/8"
H	36'-11"	H	33'-10 3/4"
J	37'-11 3/8"	J	35'-1 7/8"
K	40'-10 7/8"	K	39'-5 3/4"
L	41'-1 1/2"	L	40'-0 1/4"
M	40'-0 1/4"	M	41'-1 1/2"
N	39'-5 3/4"	N	40'-10 7/8"
P	35'-1 7/8"	P	37'-11 3/8"
Q	33'-10 3/4"	Q	36'-11"
R	25'-2 1/4"	R	29'-1 5/8"
S	21'-3 1/4"	S	25'-1 7/8"
T	7'-9 7/8"	T	15'-6 5/8"
U	6'-5 1/4"	U	14'-6 1/2"
V	1'-6 3/8"	V	10'-5 1/8"
SL	26'-2 7/8"	SL	30'-0 1/2"
SR	30'-0 1/2"	SR	26'-2 7/8"
DL	9'-9 1/2"	DL	14'-3 5/8"
DR	14'-3 5/8"	DR	9'-9 1/2"

**NOTICE**

SWIMMING POOLS AND ACCESSORIES (INCLUDING DIVING BOARDS) ARE DANGEROUS WHEN IMPROPERLY USED OR INSTALLED. IT IS THE RESPONSIBILITY OF MUNICIPAL OFFICIALS, BUILDERS AND POOL OWNERS TO ADHERE TO ALL SAFETY RECOMMENDATIONS AND STANDARDS ISSUED BY THE POOL & HOT TUB COUNCIL, LOCAL AUTHORITIES AND EQUIPMENT MANUFACTURERS. PLEASE REFER TO DIVING BOARD MANUFACTURERS FOR CORRECT POSITIONING AND INSTALLATION OF DIVING EQUIPMENT.

**AQUAPRO**

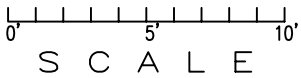
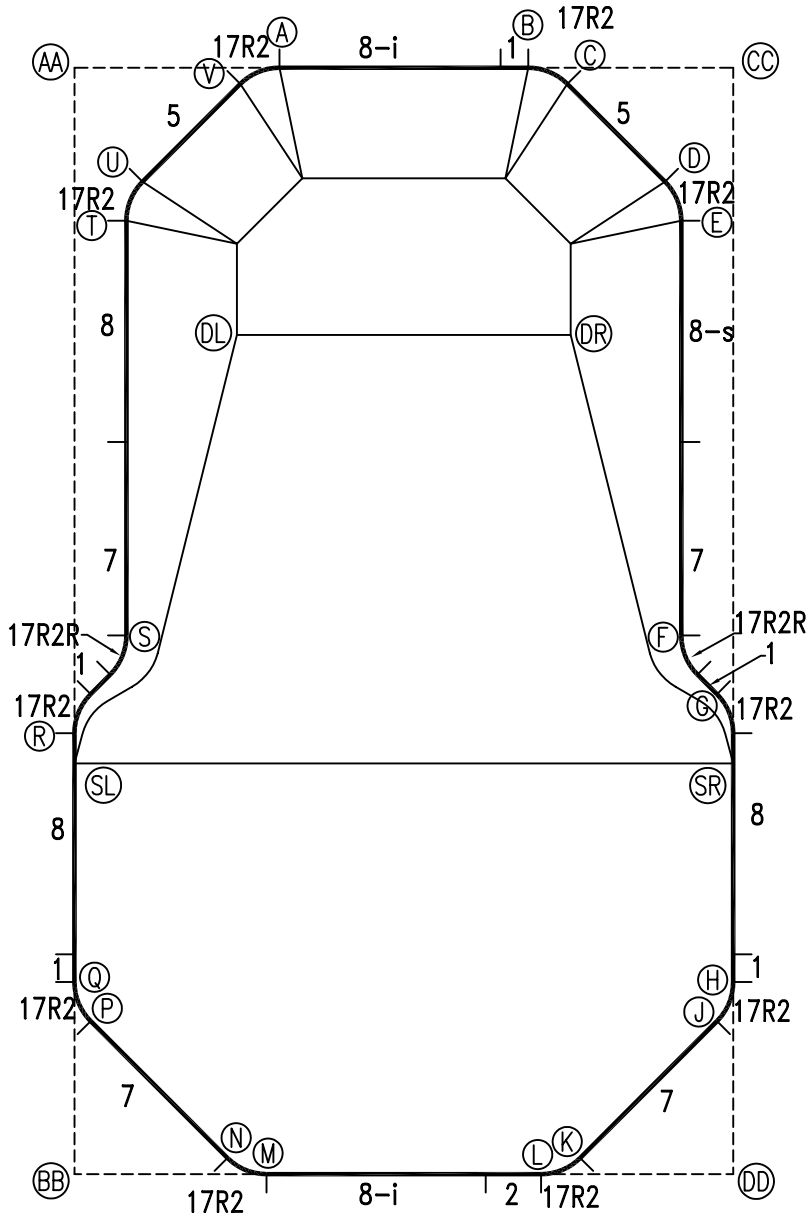
GRECIAN TEE 20 x 24 x 40

DRAWING REFERENCE #  
11-20-40-1

DRAWN BY: GB  
REV. 12 FEB 2008  
SHEET 1 OF 2

EXTERNAL INSTALLATION DATA

AA TO:	BB TO:	CC TO:	DD TO:
AA	AA	AA	AA
BB	BB	BB	BB
CC	CC	CC	CC
A	A	A	A
B	B	B	B
C	C	C	C
D	D	D	D
E	E	E	E
F	F	F	F
G	G	G	G
H	H	H	H
J	J	J	J
K	K	K	K
L	L	L	L
M	M	M	M
N	N	N	N
P	P	P	P
Q	Q	Q	Q
R	R	R	R
S	S	S	S
T	T	T	T
U	U	U	U
V	V	V	V
SL	SL	SL	SL
SR	SR	SR	SR
DL	DL	DL	DL
DR	DR	DR	DR



NOTICE

SWIMMING POOLS AND ACCESSORIES (INCLUDING DIVING BOARDS) ARE DANGEROUS WHEN IMPROPERLY USED OR INSTALLED. IT IS THE RESPONSIBILITY OF MUNICIPAL OFFICIALS, BUILDERS AND POOL OWNERS TO ADHERE TO ALL SAFETY RECOMMENDATIONS AND STANDARDS ISSUED BY THE POOL & HOT TUB COUNCIL, LOCAL AUTHORITIES AND EQUIPMENT MANUFACTURERS. PLEASE REFER TO DIVING BOARD MANUFACTURERS FOR CORRECT POSITIONING AND INSTALLATION OF DIVING EQUIPMENT.

AQUAPRO

GRECIAN TEE 20 x 24 x 40

DRAWING REFERENCE #  
11-20-40-1

DRAWN BY: GB  
REV. 12 FEB 2008  
SHEET 2 OF 2