

MISCELLANEOUS INFORMATION

PERIMETER:-	99'-9 3/8"
SURFACE AREA:	649.7 SQ FT
VOLUME:	16653 IMP GALS 70274 L

CONCRETE DECK INFO

WIDTH	AREA	NET INCREASES FOR:			
		STEPS	DIVING	SLIDE	ROLLER
2'	212	13	27	24	10
2'6"	269	17	31	20	10
3'	327	20	36	16	10

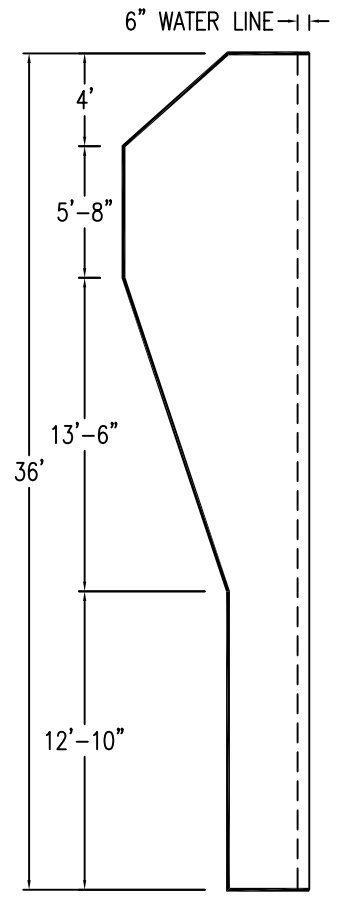
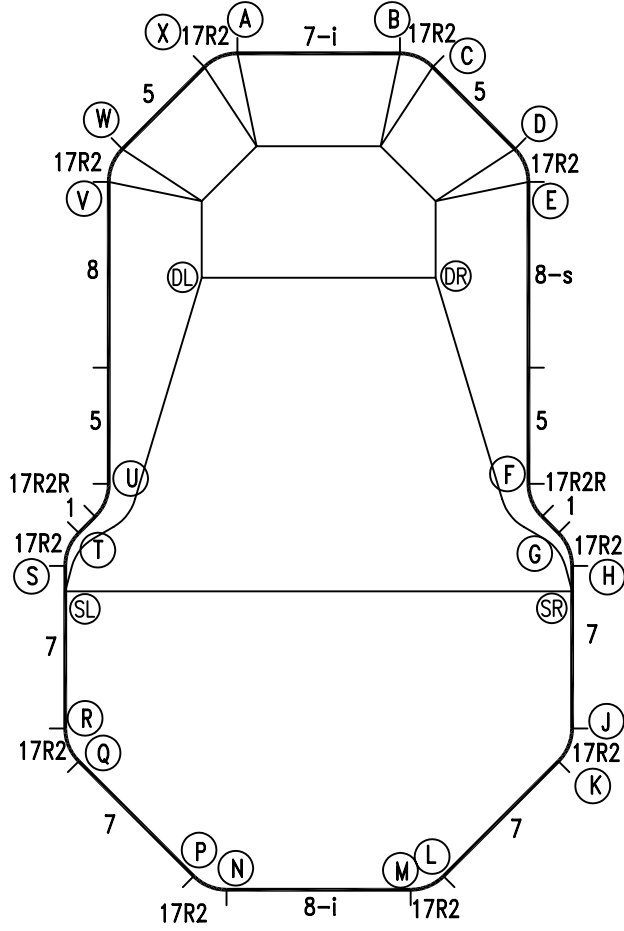
All Figures Represent "Sq Ft"

PARTS LIST

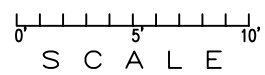
CODE	QTY	DESCRIPTION
8-s	1	8' Skimmer
8-i	1	8' Return
7-i	1	7' Return
8	1	8' Plain
7	4	7' Plain
5	4	5' Plain
1	2	1' Plain
17R2	10	1'7" Plain x 2' Radius
17R2R	2	1'7" Plain x 2' Reverse Rad
AF	26	A-Frame
S	52	Stake
NB	156	Nuts & Bolts

INSTALLATION DATA

From Point "A" to:-		From Point "B" to:-	
B	7'-0"	B	
C	8'-5 1/4"	C	1'-6 3/8"
D	12'-7 5/8"	D	6'-5 1/4"
E	13'-8 1/2"	E	7'-9 7/8"
F	22'-4 1/2"	F	19'-4 1/8"
G	24'-10 1/4"	G	21'-9 1/8"
H	26'-4 3/8"	H	23'-3 3/8"
J	32'-5 3/8"	J	30'-0"
K	33'-5 3/4"	K	31'-2 7/8"
L	36'-6 3/8"	L	35'-5 7/8"
M	36'-9 3/8"	M	36'-0 1/4"
N	36'-0 1/4"	N	36'-9 3/8"
P	35'-5 7/8"	P	36'-6 3/8"
Q	31'-2 7/8"	Q	33'-5 3/4"
R	30'-0"	R	32'-5 3/8"
S	23'-3 3/8"	S	26'-4 3/8"
T	21'-9 1/8"	T	24'-10 1/4"
U	19'-4 1/8"	U	22'-4 1/2"
V	7'-9 7/8"	V	13'-8 1/2"
W	6'-5 1/4"	W	12'-7 5/8"
X	1'-6 3/8"	X	8'-5 1/4"
SL	24'-3 7/8"	SL	27'-3 3/8"
SR	27'-3 3/8"	SR	24'-3 7/8"
DL	9'-9 1/2"	DL	12'-10 3/4"
DR	12'-10 3/4"	DR	9'-9 1/2"



*ALL DIMENSIONS ARE FINISHED



NOTICE

SWIMMING POOLS AND ACCESSORIES (INCLUDING DIVING BOARDS) ARE DANGEROUS WHEN IMPROPERLY USED OR INSTALLED. IT IS THE RESPONSIBILITY OF MUNICIPAL OFFICIALS, BUILDERS AND POOL OWNERS TO ADHERE TO ALL SAFETY RECOMMENDATIONS AND STANDARDS ISSUED BY THE POOL & HOT TUB COUNCIL, LOCAL AUTHORITIES AND EQUIPMENT MANUFACTURERS. PLEASE REFER TO DIVING BOARD MANUFACTURERS FOR CORRECT POSITIONING AND INSTALLATION OF DIVING EQUIPMENT.

AQUAPRO

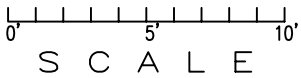
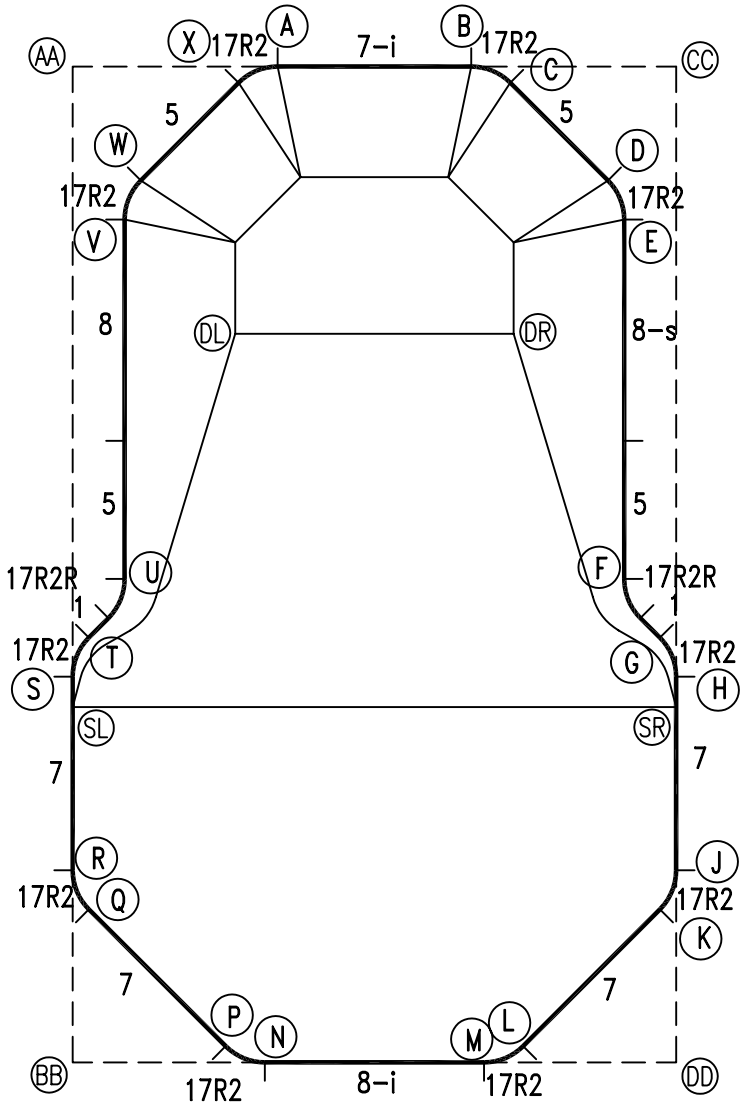
GRECIAN TEE 18 x 22 x 36

DRAWING REFERENCE #
11-18-36-1

DRAWN BY: JB
REV. 29 NOV 2006
SHEET 1 OF 2

EXTERNAL INSTALLATION DATA

AA TO:	BB TO:	CC TO:	DD TO:
AA ---	AA 36'-0 1/4"	AA 21'-9 7/8"	AA 42'-1 3/8"
BB ---	BB ---	BB 42'-1 3/8"	BB 21'-9 7/8"
CC ---	CC ---	CC ---	CC 36'-0 1/4"
A 7'-4 7/8"	A 36'-9 1/4"	A 14'-4 7/8"	A 38'-9 5/8"
B 14'-4 7/8"	B 38'-9 5/8"	B 7'-4 7/8"	B 36'-9 1/4"
C 15'-10 1/8"	C 38'-9 3/4"	C 6'-0 3/8"	C 35'-11 1/4"
D 19'-9 5/8"	D 37'-3 3/4"	D 4'-9 5/8"	D 31'-11 7/8"
E 20'-8 1/2"	E 36'-5 1/4"	E 5'-10 1/8"	E 30'-6 1/2"
F 27'-2 3/4"	F 26'-6 3/8"	F 18'-7 5/8"	F 17'-7"
G 29'-7 5/8"	G 26'-2 5/8"	G 20'-7 7/8"	G 15'-4 1/2"
H 31'-0 1/2"	H 25'-10 7/8"	H 22'-0 7/8"	H 13'-11 3/8"
J 36'-4 1/4"	J 22'-10 7/8"	J 29'-0 7/8"	J 6'-11 3/8"
K 37'-1 7/8"	K 21'-11 3/8"	K 30'-5 7/8"	K 5'-6 3/4"
L 39'-0"	L 16'-3 5/8"	L 35'-10 3/8"	L 5'-6 3/4"
M 38'-11 5/8"	M 14'-10 1/2"	M 36'-8 1/4"	M 6'-11 3/8"
N 36'-8 1/4"	N 6'-11 3/8"	N 38'-11 5/8"	N 14'-10 1/2"
P 35'-10 3/8"	P 5'-6 3/4"	P 39'-0"	P 16'-3 5/8"
Q 30'-5 7/8"	Q 5'-6 3/4"	Q 37'-1 7/8"	Q 21'-11 3/8"
R 29'-0 7/8"	R 6'-11 3/8"	R 36'-4 1/4"	R 22'-10 7/8"
S 22'-0 7/8"	S 13'-11 3/8"	S 31'-0 1/2"	S 25'-10 7/8"
T 20'-7 7/8"	T 15'-4 1/2"	T 29'-7 5/8"	T 26'-2 5/8"
U 18'-7 5/8"	U 17'-7"	U 27'-2 3/4"	U 26'-6 3/8"
V 5'-10 1/8"	V 30'-6 1/2"	V 20'-8 1/2"	V 36'-5 1/4"
W 4'-9 5/8"	W 31'-11 7/8"	W 19'-9 5/8"	W 37'-3 3/4"
X 6'-0 3/8"	X 35'-11 1/4"	X 15'-10 1/8"	X 38'-9 3/4"
SL 23'-2"	SL 12'-10 1/4"	SL 31'-8 1/4"	SL 25'-1 3/4"
SR 31'-9 7/8"	SR 25'-3 7/8"	SR 23'-2"	SR 12'-10 1/4"
DL 11'-3 3/4"	DL 27'-0"	DL 18'-7 3/4"	DL 30'-9 5/8"
DR 18'-7 3/4"	DR 30'-9 5/8"	DR 11'-3 3/4"	DR 27'-0"



NOTICE

SWIMMING POOLS AND ACCESSORIES (INCLUDING DIVING BOARDS) ARE DANGEROUS WHEN IMPROPERLY USED OR INSTALLED. IT IS THE RESPONSIBILITY OF MUNICIPAL OFFICIALS, BUILDERS AND POOL OWNERS TO ADHERE TO ALL SAFETY RECOMMENDATIONS AND STANDARDS ISSUED BY THE POOL & HOT TUB COUNCIL, LOCAL AUTHORITIES AND EQUIPMENT MANUFACTURERS. PLEASE REFER TO DIVING BOARD MANUFACTURERS FOR CORRECT POSITIONING AND INSTALLATION OF DIVING EQUIPMENT.

AQUAPRO

GRECIAN TEE 18 x 22 x 36

DRAWING REFERENCE #
11-18-36-1

DRAWN BY: JB
REV. 29 NOV 2006
SHEET 2 OF 2