

MISCELLANEOUS INFORMATION

PERIMETER:-	79'-10"
SURFACE AREA:	425.9 SQ FT
VOLUME:	10921 IMP GALS 49692 L

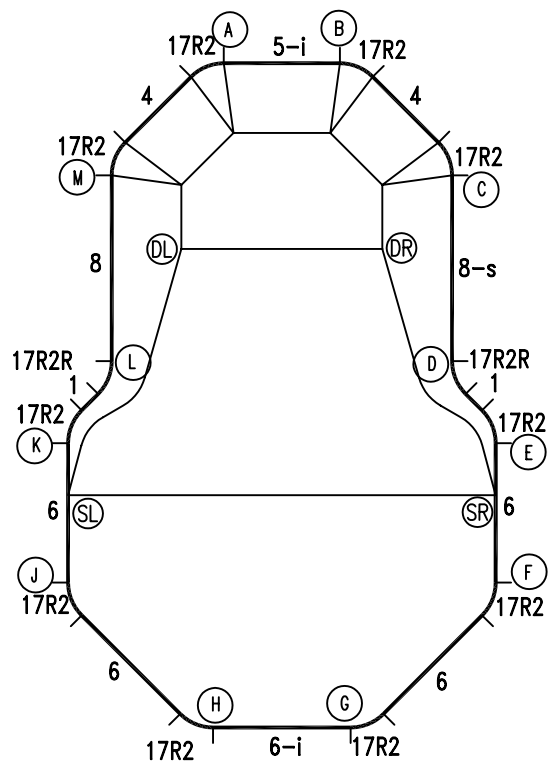
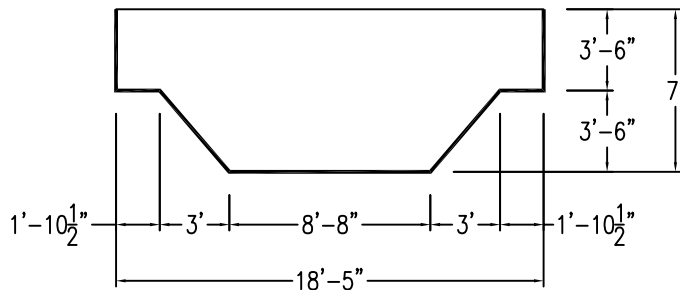
PARTS LIST

CODE	QTY	DESCRIPTION
8-s	1	8' Skimmer
6-i	1	6' Return
5-i	1	5' Return
8	1	8' Plain
6	4	6' Plain
4	2	4' Plain
1	2	1' Plain
17R2	10	1'7" Plain x 2' Radius
17R2R	2	1'7" Plain x 2' Reverse Rad
AF	24	A-Frame
S	48	Stake
NB	144	Nuts & Bolts

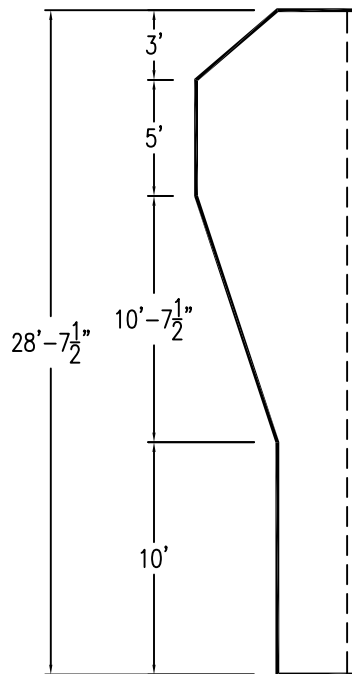
CONCRETE DECK INFO

WIDTH	AREA	NET INCREASES FOR:			
		STEPS	DIVING	SLIDE	ROLLER
2'	172	13	27	24	10
2'6"	219	17	31	20	10
3'	268	20	36	16	10

All Figures Represent "Sq Ft"



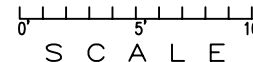
6" WATER LINE -||-



INSTALLATION DATA

From Point "A" to:-		From Point "B" to:-	
B	5'-0"	B	
C	10'-11 3/8"	C	6'-9 7/8"
D	16'-1 7/8"	D	13'-8 1/2"
E	20'-1 1/2"	E	17'-8 1/4"
F	25'-2 7/8"	F	23'-4 1/8"
G	29'-1 1/2"	G	28'-7 3/8"
H	28'-7 3/8"	H	29'-1 1/2"
J	23'-4 1/8"	J	25'-2 7/8"
K	17'-8 1/4"	K	20'-1 1/2"
L	13'-8 1/2"	L	16'-1 7/8"
M	6'-9 7/8"	M	10'-11 3/8"
SL	19'-9 3/8"	SL	21'-11 3/4"
SR	21'-11 3/4"	SR	19'-9 3/8"
DL	8'-2 1/2"	DL	10'-6 1/4"
DR	10'-6 1/4"	DR	8'-2 1/2"

*ALL DIMENSIONS ARE FINISHED



NOTICE

SWIMMING POOLS AND ACCESSORIES (INCLUDING DIVING BOARDS) ARE DANGEROUS WHEN IMPROPERLY USED OR INSTALLED. IT IS THE RESPONSIBILITY OF MUNICIPAL OFFICIALS, BUILDERS AND POOL OWNERS TO ADHERE TO ALL SAFETY RECOMMENDATIONS AND STANDARDS ISSUED BY THE POOL & HOT TUB COUNCIL, LOCAL AUTHORITIES AND EQUIPMENT MANUFACTURERS. PLEASE REFER TO DIVING BOARD MANUFACTURERS FOR CORRECT POSITIONING AND INSTALLATION OF DIVING EQUIPMENT.

AQUAPRO

GRECIAN TEE 14 x 18 x 28

DRAWING REFERENCE #
11-14-28-1

DRAWN BY: JB
REV. 27 NOV 2006
SHEET 1 OF 2

