

**MISCELLANEOUS INFORMATION**

PERIMETER:-	100'-7"
SURFACE AREA:	572.6 SQ FT
VOLUME:	16750 IMP GALS 76148 L

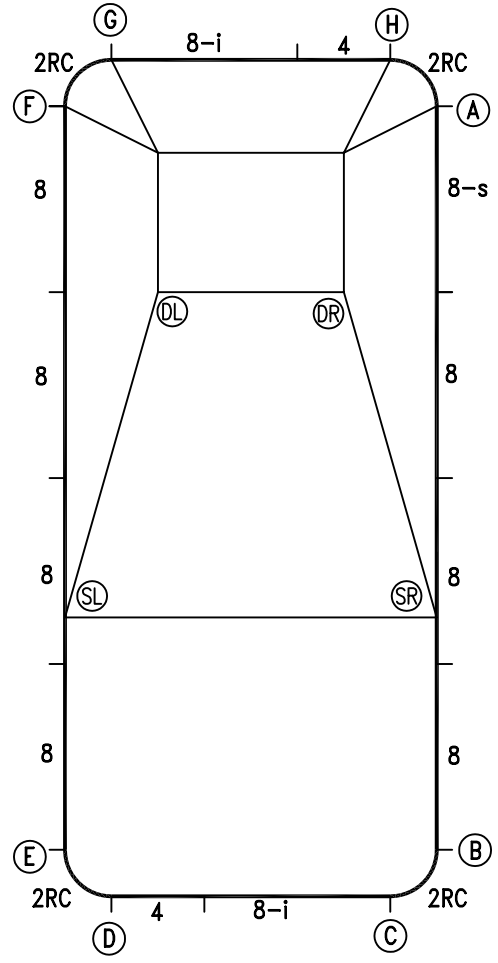
**CONCRETE DECK INFO**

WIDTH	AREA	NET INCREASES FOR:			
		STEPS	DIVING	SLIDE	ROLLER
2'	213	13	27	24	10
2'6"	271	17	31	20	10
3'	330	20	36	16	10

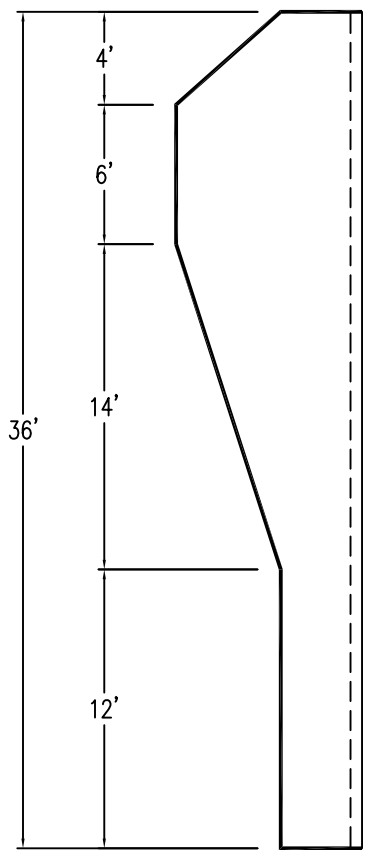
All Figures Represent "Sq Ft"

**PARTS LIST**

CODE	QTY	DESCRIPTION
8-s	1	8' Skimmer
8-i	2	8' Return
8	7	8' Plain
4	2	4' Plain
2RC	4	3'2 Plain x 2' Rad Cnr
AF	16	A-Frame
S	32	Stake
NB	96	Nuts & Bolts



6" WATER LINE - I-I -



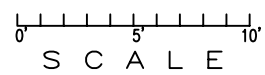
**INSTALLATION DATA**

From Point "A" to:-		From Point "B" to:-	
B	32'-0"	B	2'-9 7/8"
C	34'-0 3/4"	C	2'-9 7/8"
D	36'-9 1/4"	D	14'-1 3/4"
E	35'-9 3/8"	E	16'-0"
F	16'-0"	F	35'-9 1/2"
G	14'-1 3/4"	G	36'-9 1/4"
H	2'-9 7/8"	H	34'-0 3/4"
SL	27'-2 3/8"	SL	18'-10 3/8"
SR	22'-0"	SR	10'-0"
DL	14'-5 1/8"	DL	26'-9 7/8"
DR	8'-11 3/8"	DR	24'-3 7/8"

**NOTICE**

SWIMMING POOLS AND ACCESSORIES (INCLUDING DIVING BOARDS) ARE DANGEROUS WHEN IMPROPERLY USED OR INSTALLED. IT IS THE RESPONSIBILITY OF MUNICIPAL OFFICIALS, BUILDERS AND POOL OWNERS TO ADHERE TO ALL SAFETY RECOMMENDATIONS AND STANDARDS ISSUED BY THE POOL & HOT TUB COUNCIL, LOCAL AUTHORITIES AND EQUIPMENT MANUFACTURERS. PLEASE REFER TO DIVING BOARD MANUFACTURERS FOR CORRECT POSITIONING AND INSTALLATION OF DIVING EQUIPMENT.

\*ALL DIMENSIONS ARE FINISHED



**AQUAPRO**

RECTANGLE

16 x 36

DRAWING REFERENCE #  
65-16-36-1

DRAWN BY: BC  
REV. 18 DEC 2006  
SHEET 1 OF 1