

**MISCELLANEOUS INFORMATION**

|               |                        |
|---------------|------------------------|
| PERIMETER:-   | 96'-7"                 |
| SURFACE AREA: | 540.6 SQ FT            |
| VOLUME:       | 16152 IMP GALS 73429 L |

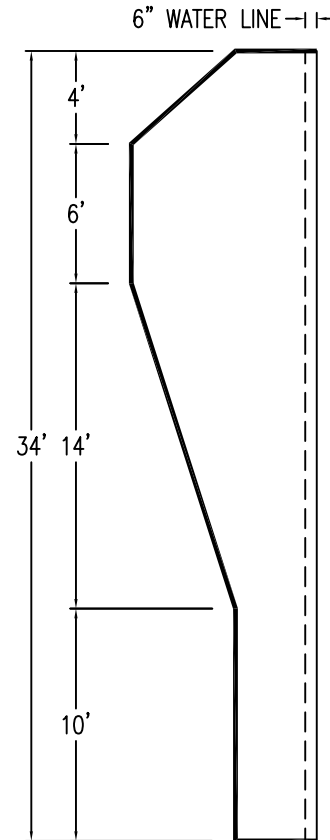
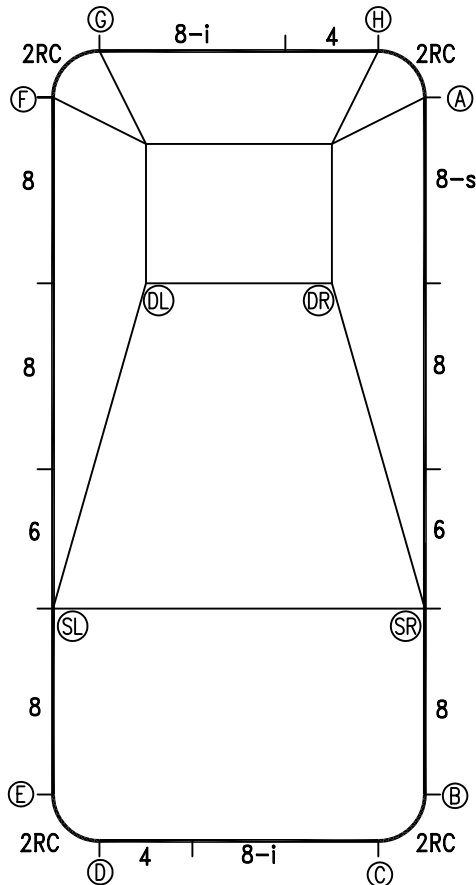
**CONCRETE DECK INFO**

| WIDTH | AREA | NET INCREASES FOR: |        |       |        |
|-------|------|--------------------|--------|-------|--------|
|       |      | STEPS              | DIVING | SLIDE | ROLLER |
| 2'    | 205  | 13                 | 27     | 24    | 10     |
| 2'6"  | 261  | 17                 | 31     | 20    | 10     |
| 3'    | 308  | 20                 | 36     | 16    | 10     |

All Figures Represent "Sq Ft"

**PARTS LIST**

| CODE | QTY | DESCRIPTION            |
|------|-----|------------------------|
| 8-s  | 1   | 8' Skimmer             |
| 8-i  | 2   | 8' Return              |
| 8    | 5   | 8' Plain               |
| 6    | 2   | 6' Plain               |
| 4    | 2   | 4' Plain               |
| 2RC  | 4   | 3'2 Plain x 2' Rad Cnr |
| AF   | 16  | A-Frame                |
| S    | 32  | Stake                  |
| NB   | 96  | Nuts & Bolts           |



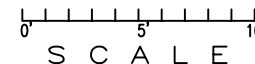
**INSTALLATION DATA**

| From Point "A" to:- |             | From Point "B" to:- |             |
|---------------------|-------------|---------------------|-------------|
| B                   | 30'-0"      | B                   | 34'-0"      |
| C                   | 32'-0 3/4"  | C                   | 2'-9 7/8"   |
| D                   | 34'-11 1/8" | D                   | 14'-1 3/4"  |
| E                   | 34'-0"      | E                   | 16'-0"      |
| F                   | 16'-0"      | F                   | 34'-0"      |
| G                   | 14'-1 3/4"  | G                   | 34'-11 1/8" |
| H                   | 2'-9 7/8"   | H                   | 32'-0 3/4"  |
| SL                  | 27'-2 3/8"  | SL                  | 17'-10 5/8" |
| SR                  | 22'-0"      | SR                  | 8'-0"       |
| DL                  | 14'-5 1/8"  | DL                  | 25'-0 3/4"  |
| DR                  | 8'-11 3/8"  | DR                  | 22'-4 3/8"  |

**NOTICE**

SWIMMING POOLS AND ACCESSORIES (INCLUDING DIVING BOARDS) ARE DANGEROUS WHEN IMPROPERLY USED OR INSTALLED. IT IS THE RESPONSIBILITY OF MUNICIPAL OFFICIALS, BUILDERS AND POOL OWNERS TO ADHERE TO ALL SAFETY RECOMMENDATIONS AND STANDARDS ISSUED BY THE POOL & HOT TUB COUNCIL, LOCAL AUTHORITIES AND EQUIPMENT MANUFACTURERS. PLEASE REFER TO DIVING BOARD MANUFACTURERS FOR CORRECT POSITIONING AND INSTALLATION OF DIVING EQUIPMENT.

\*ALL DIMENSIONS ARE FINISHED



**AQUAPRO**

RECTANGLE 16 x 34

DRAWING REFERENCE #  
65-16-34-1

DRAWN BY: BC  
REV. 16 JAN 2007  
SHEET 1 OF 1