

MISCELLANEOUS INFORMATION

PERIMETER:- 79'
SURFACE AREA: 430.9 SQ FT
VOLUME: 12948 IMP GALS 58914 L

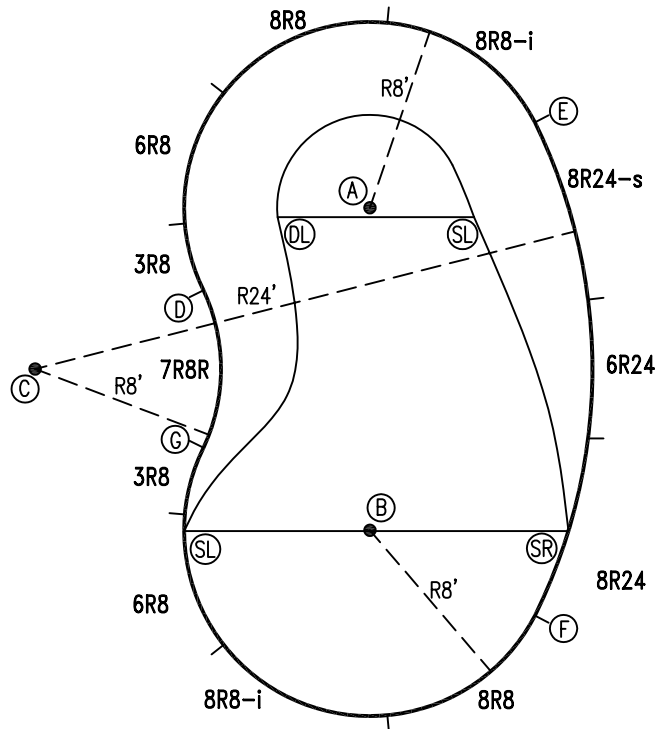
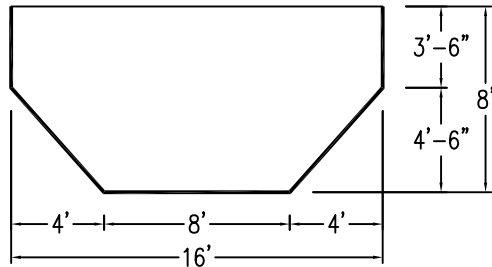
PARTS LIST

CODE	QTY	DESCRIPTION
8R24-s	1	8' Skimmer x 24' Radius
8R8-i	2	8' Return x 8' Radius
8R24	1	8' Plain x 24' Radius
6R24	1	6' Plain x 24' Radius
8R8	2	8' Plain x 8' Radius
6R8	2	6' Plain x 8' Radius
3R8	2	3' Plain x 8' Radius
7R8R	1	7' Plain x 8' Reverse Radius
AF	12	A-Frame
S	24	Stake
NB	72	Nuts & Bolts

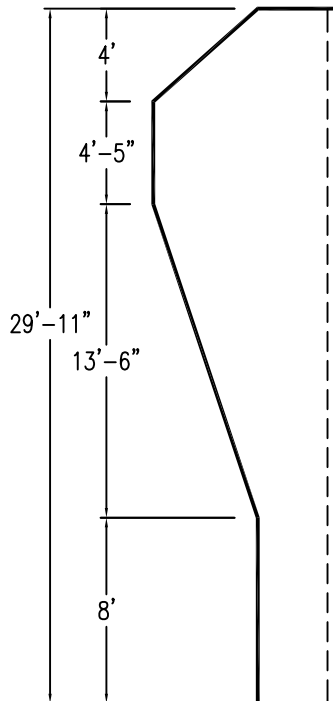
CONCRETE DECK INFO

WIDTH	AREA	NET INCREASES FOR:			
		STEPS	DIVING	SLIDE	ROLLER
2'	172	13	27	24	10
2'6"	218	17	31	20	10
3'	267	20	36	16	10

All Figures Represent "Sq Ft"



6" WATER LINE - I - I -



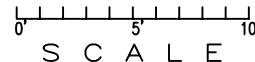
*ALL DIMENSIONS ARE FINISHED

INSTALLATION DATA

From Point "A" to:-		From Point "B" to:-	
B	13'-10 3/4"	B	
C	16'-0"	C	16'-0"
D	8'-0"	D	12'-6 7/8"
E	8'-0"	E	18'-11 3/8"
F	18'-11 3/8"	F	8'-0"
G	12'-6 7/8"	G	8'-0"
SL	16'-0 5/8"	SL	8'-0"
SR	16'-4"	SR	8'-6 5/8"
DL	4'-0"	DL	14'-0 5/8"
DR	4'-6"	DR	14'-2 1/2"

NOTICE

SWIMMING POOLS AND ACCESSORIES (INCLUDING DIVING BOARDS) ARE DANGEROUS WHEN IMPROPERLY USED OR INSTALLED. IT IS THE RESPONSIBILITY OF MUNICIPAL OFFICIALS, BUILDERS AND POOL OWNERS TO ADHERE TO ALL SAFETY RECOMMENDATIONS AND STANDARDS ISSUED BY THE POOL & HOT TUB COUNCIL, LOCAL AUTHORITIES AND EQUIPMENT MANUFACTURERS. PLEASE REFER TO DIVING BOARD MANUFACTURERS FOR CORRECT POSITIONING AND INSTALLATION OF DIVING EQUIPMENT.



AQUAPRO

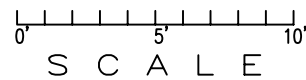
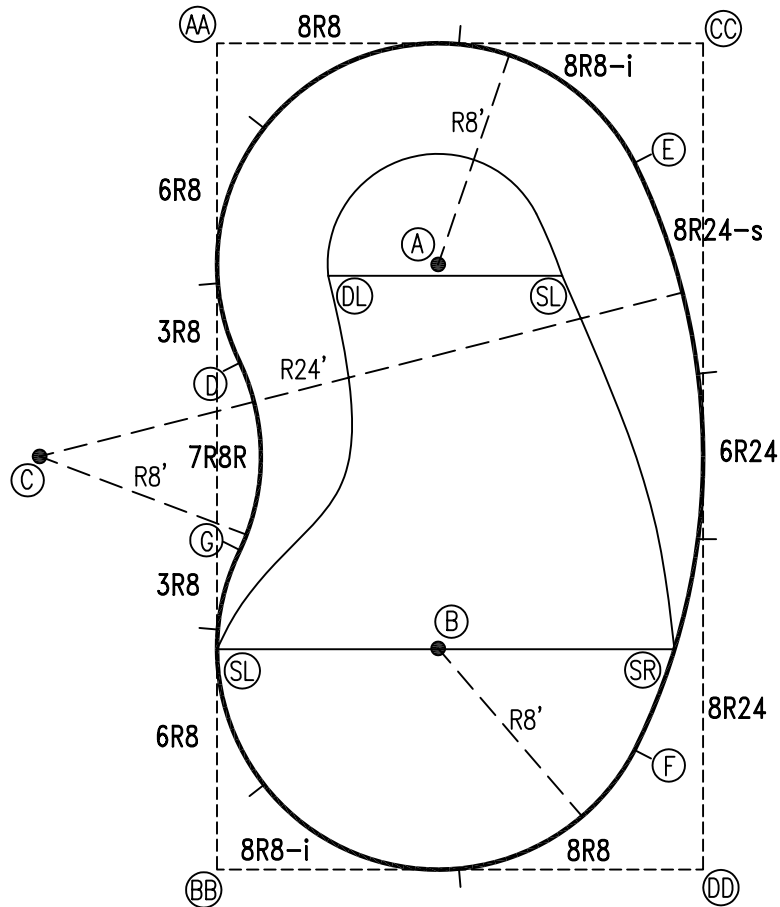
KIDNEY-CRESCENT-LEFT 16 x 30

DRAWING REFERENCE #
14-16-30-1

DRAWN BY: JB
REV. 2 FEB 2007
SHEET 1 OF 2

EXTERNAL INSTALLATION DATA

AA TO:	BB TO:	CC TO:	DD TO:
AA	AA 29'-10 3/4"	AA 17'-6 7/8"	AA 34'-8 1/8"
BB	BB --	BB 34'-8 1/8"	BB 17'-6 7/8"
CC	CC --	CC --	CC 29'-10 3/4"
A	A 11'-3 3/4"	A 23'-3 5/8"	A 12'-5 3/4"
B	B 23'-3 5/8"	B 11'-3 3/4"	B 23'-10 3/4"
C	C 16'-3 1/8"	C 16'-3 1/8"	C 28'-3 1/4"
D	D 11'-7"	D 18'-4 1/4"	D 20'-4 1/4"
E	E 15'-8 1/2"	E 29'-8 3/8"	E 4'-11 7/8"
F	F 29'-8 3/8"	F 15'-8 1/2"	F 25'-8 1/4"
G	G 18'-4 1/4"	G 11'-7"	G 24'-10"
SL	SL 21'-11 1/8"	SL 7'-11 5/8"	SL 28'-1 1/4"
SR	SR 27'-5 5/8"	SR 18'-4 3/8"	SR 21'-11 3/8"
DL	DL 9'-3 7/8"	DL 21'-10 1/4"	DL 15'-11 1/2"
DR	DR 15'-0 5/8"	DR 24'-10 1/8"	DR 9'-10"



DIAGONALS

D to F:	20'0"
E to G:	20'0"

NOTICE

SWIMMING POOLS AND ACCESSORIES (INCLUDING DIVING BOARDS) ARE DANGEROUS WHEN IMPROPERLY USED OR INSTALLED. IT IS THE RESPONSIBILITY OF MUNICIPAL OFFICIALS, BUILDERS AND POOL OWNERS TO ADHERE TO ALL SAFETY RECOMMENDATIONS AND STANDARDS ISSUED BY THE POOL & HOT TUB COUNCIL, LOCAL AUTHORITIES AND EQUIPMENT MANUFACTURERS. PLEASE REFER TO DIVING BOARD MANUFACTURERS FOR CORRECT POSITIONING AND INSTALLATION OF DIVING EQUIPMENT.

AQUAPRO

KIDNEY-CRESCENT-LEFT 16x30

DRAWING REFERENCE #

14-16-30-1

DRAWN BY: JB

REV. 2 FEB 2007

SHEET 2 OF 2