

### MISCELLANEOUS INFORMATION

PERIMETER:-	98'-7"
SURFACE AREA:	623.2 SQ FT
VOLUME:	18503 IMP GALS 84113 L

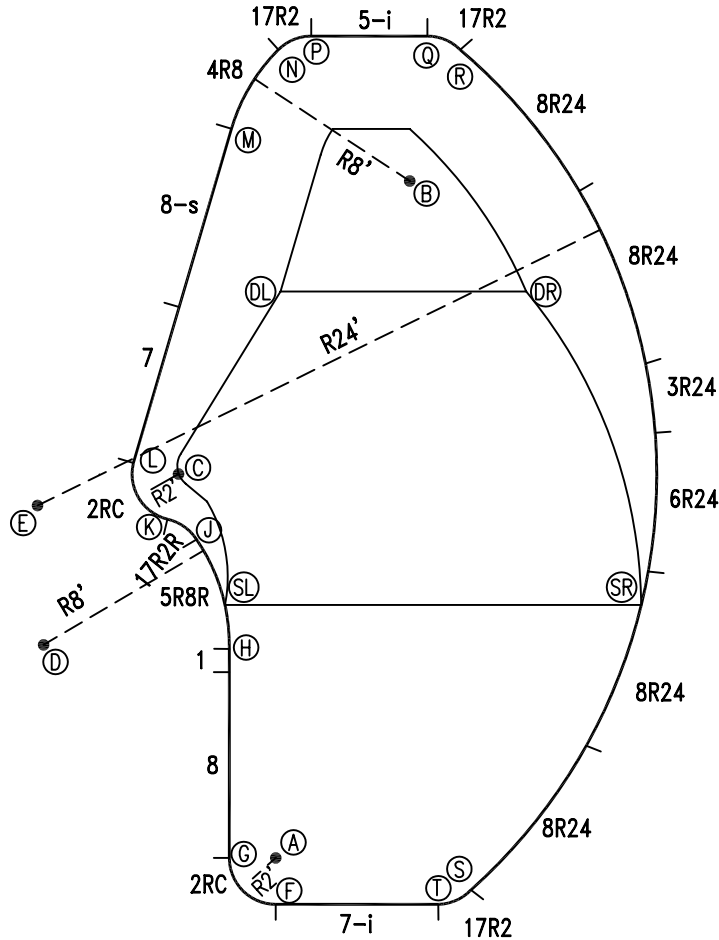
### CONCRETE DECK INFO

WIDTH	AREA	NET INCREASES FOR:			
		STEPS	DIVING	SLIDE	ROLLER
2'	210	13	27	24	10
2'6"	267	17	31	20	10
3'	325	20	36	16	10

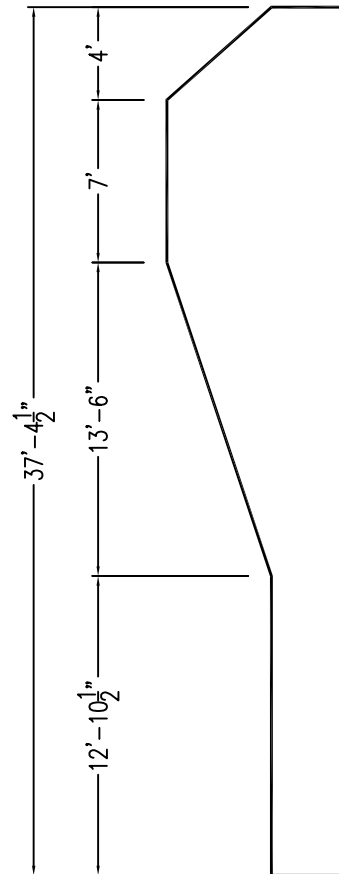
All Figures Represent "Sq Ft"

### PARTS LIST

CODE	QTY	DESCRIPTION
8-s	1	8' Skimmer
7-i	1	7' Return
5-i	1	5' Return
8R24	4	8' Plain x 24' Radius
6R24	1	6' Plain x 24' Radius
3R24	1	3' Plain x 24' Radius
4R8	1	4' Plain x 8' Radius
2RC	2	3'2" Plain x 2' Radius
8	1	8' Plain
7	1	7' Plain
1	1	1' Plain
17R2	3	1'7" Plain x 2' Radius
5R8R	1	5' Plain x 8' Reverse Radius
17R2R	1	1'7" Plain x 8' Reverse Radius
AF	20	"A" Frames
S	40	Stakes
NB	120	Nuts & Bolts



6" WATER LINE - I I -



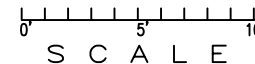
### INSTALLATION DATA

From Point "A" to:-		From Point "B" to:-	
B	29'-8 5/8"	B	
C	17'-0 5/8"	C	16'-0 7/8"
D	13'-6 7/8"	D	25'-5 3/8"
E	18'-3 7/8"	E	21'-3 1/4"
F	2'-0"	F	31'-8 1/8"
G	2'-0"	G	30'-2"
H	9'-2 5/8"	H	21'-7 1/8"
J	14'-1 5/8"	J	17'-11 1/2"
K	15'-3 3/4"	K	17'-10 7/8"
L	18'-0 7/8"	L	17'-0"
M	31'-5 1/2"	M	8'-0"
N	34'-9 5/8"	N	8'-0"
P	35'-5 1/8"	P	7'-6 5/8"
Q	35'-11 7/8"	Q	6'-3 1/2"
R	35'-8 3/8"	R	6'-0 3/4"
S	8'-6 1/4"	S	30'-7 3/4"
T	7'-3 3/8"	T	31'-2 1/8"
SL	11'-1 3/8"	SL	19'-10 7/8"
SR	19'-1 3/4"	SR	20'-9 5/8"
DL	24'-4 3/4"	DL	7'-3 7/8"
DR	26'-8 1/8"	DR	6'-10 7/8"

### NOTICE

SWIMMING POOLS AND ACCESSORIES (INCLUDING DIVING BOARDS) ARE DANGEROUS WHEN IMPROPERLY USED OR INSTALLED. IT IS THE RESPONSIBILITY OF MUNICIPAL OFFICIALS, BUILDERS AND POOL OWNERS TO ADHERE TO ALL SAFETY RECOMMENDATIONS AND STANDARDS ISSUED BY THE POOL & HOT TUB COUNCIL, LOCAL AUTHORITIES AND EQUIPMENT MANUFACTURERS. PLEASE REFER TO DIVING BOARD MANUFACTURERS FOR CORRECT POSITIONING AND INSTALLATION OF DIVING EQUIPMENT.

\*ALL DIMENSIONS ARE FINISHED



AQUAPRO

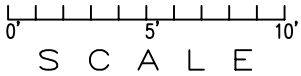
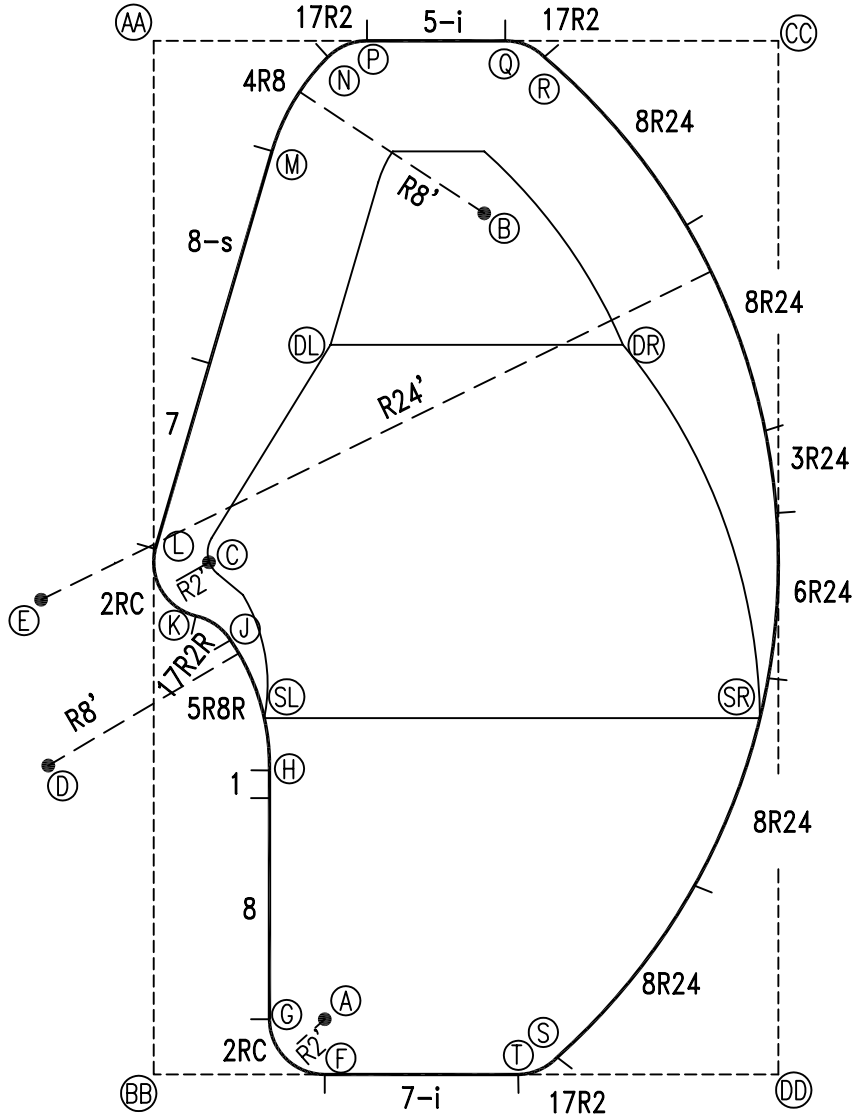
WASAGA - LEFT 23 x 37

DRAWING REFERENCE #  
94-23-37-1

DRAWN BY: BC  
REV. 09 JAN 2007  
SHEET 1 OF 2

EXTERNAL INSTALLATION DATA

AA TO:	BB TO:	CC TO:	DD TO:
AA ---	AA 37'-4 3/4"	AA 22'-7 1/8"	AA 43'-8 1/4"
BB ---	BB ---	BB 43'-8 1/4"	BB 22'-7 1/8"
CC ---	CC ---	CC ---	CC 37'-4 3/4"
A 35'-11 1/8"	A 6'-6"	A 39'-0 1/8"	A 16'-6 3/8"
B 13'-5 7/8"	B 33'-4 3/8"	B 12'-4"	B 32'-10 7/8"
C 18'-11 5/8"	C 18'-7 5/8"	C 27'-11 1/8"	C 27'-8 1/2"
D 26'-5 7/8"	D 11'-9 3/4"	D 37'-2 1/2"	D 28'-8 1/8"
E 20'-7 1/2"	E 17'-7 7/8"	E 33'-5 5/8"	E 31'-8 5/8"
F 37'-10 3/4"	F 6'-2 1/4"	F 40'-10"	F 16'-4 7/8"
G 35'-7 5/8"	G 4'-7 5/8"	G 39'-10 3/4"	G 18'-6 1/4"
H 26'-8 5/8"	H 11'-9 1/4"	H 32'-2 1/8"	H 21'-5 3/8"
J 21'-10 1/4"	J 15'-11 1/2"	J 29'-4 1/2"	J 25'-3 1/2"
K 20'-10 1/4"	K 16'-7 7/8"	K 29'-7 3/8"	K 26'-9 7/8"
L 18'-4 5/8"	L 19'-0 1/8"	L 29'-1"	L 29'-5 3/4"
M 5'-10 1/4"	M 33'-8 1/8"	M 18'-8 7/8"	M 38'-1 1/8"
N 6'-3 7/8"	N 37'-4 1/8"	N 16'-3 5/8"	N 40'-3"
P 7'-8 5/8"	P 38'-2 1/8"	P 14'-10 5/8"	P 40'-2 7/8"
Q 12'-8 5/8"	Q 39'-5 7/8"	Q 9'-10 5/8"	Q 38'-8 1/8"
R 14'-1 3/4"	R 39'-5 1/8"	R 8'-5 7/8"	R 37'-9 1/4"
S 39'-6 3/4"	S 14'-7 1/4"	S 37'-7 5/8"	S 8'-0 3/8"
T 39'-7 3/4"	T 13'-2 1/4"	T 38'-6 3/4"	T 9'-4 7/8"
SL 24'-9 7/8"	SL 13'-5 7/8"	SL 30'-9 1/8"	SL 22'-7 1/2"
SR 32'-10 5/8"	SR 25'-5 1/4"	SR 24'-6 1/8"	SR 12'-10 7/8"
DL 12'-8 5/8"	DL 27'-1 7/8"	DL 19'-7"	DL 30'-11 5/8"
DR 20'-2 3/4"	DR 31'-4 5/8"	DR 12'-4 1/4"	DR 26'-11 3/4"



NOTICE

SWIMMING POOLS AND ACCESSORIES (INCLUDING DIVING BOARDS) ARE DANGEROUS WHEN IMPROPERLY USED OR INSTALLED. IT IS THE RESPONSIBILITY OF MUNICIPAL OFFICIALS, BUILDERS AND POOL OWNERS TO ADHERE TO ALL SAFETY RECOMMENDATIONS AND STANDARDS ISSUED BY THE POOL & HOT TUB COUNCIL, LOCAL AUTHORITIES AND EQUIPMENT MANUFACTURERS. PLEASE REFER TO DIVING BOARD MANUFACTURERS FOR CORRECT POSITIONING AND INSTALLATION OF DIVING EQUIPMENT.

AQUAPRO

WASAGA - LEFT 23 x 37

DRAWING REFERENCE #  
94-23-37-1

DRAWN BY: BC  
REV. 09 JAN 2007  
SHEET 2 OF 2