

MISCELLANEOUS INFORMATION

PERIMETER:- 85'6"
SURFACE AREA: 471.6 SQ FT
VOLUME: 12111 IMP GALS 55056 L

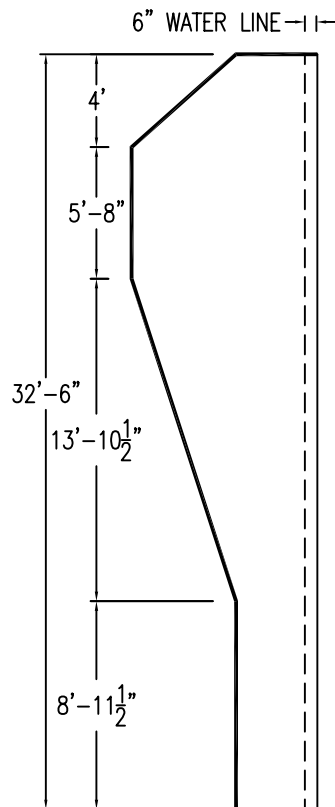
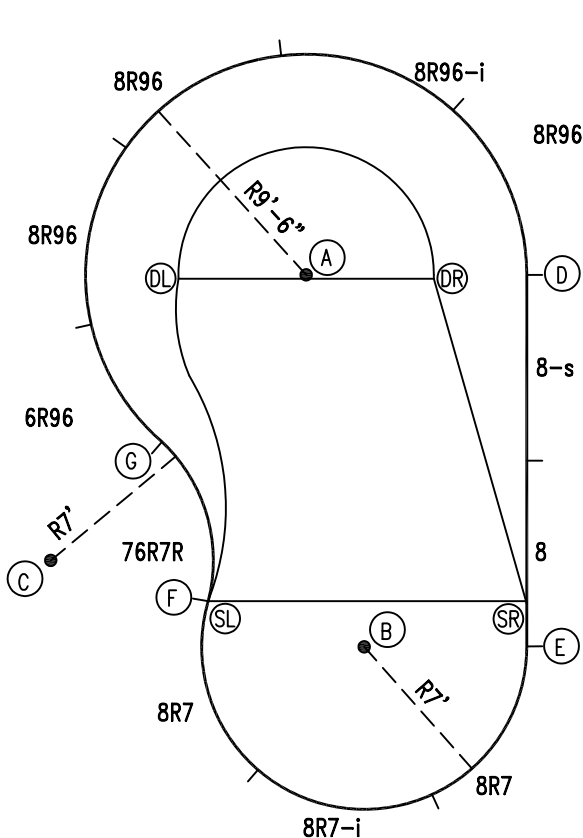
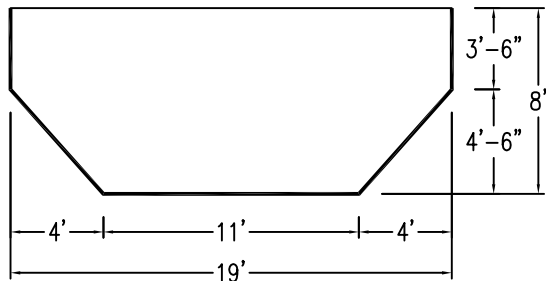
PARTS LIST

CODE	QTY	DESCRIPTION
8-s	1	8' Skimmer
8R96-i	1	8' Return x 9'6" Radius
8R7-i	1	8' Return x 7' Radius
8	1	8' Panel
8R96	3	8' Panel x 9'6" Radius
6R96	1	6' Panel x 9'6" Radius
8R7	2	8' Panel x 7' Radius
76R7R	1	7'6" Panel x 7' Reverse Rad
AF	11	"A" Frame
S	22	Rebar
NB	66	Nuts & Bolts

CONCRETE DECK INFO

WIDTH	AREA	NET INCREASES FOR:			
		STEPS	DIVING	SLIDE	ROLLER
2'	185	13	27	24	10
2'6"	234	17	31	20	10
3'	286	20	36	16	10

All Figures Represent "Sq Ft"

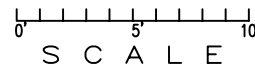


INSTALLATION DATA

From Point "A" to:-		From Point "B" to:-	
B	16'-2 1/2"	B	
C	16'-5 7/8"	C	14'-0"
D	9'-6"	D	17'-5 3/4"
E	18'-7 1/4"	E	7'-0"
F	14'-8 1/8"	F	7'-0"
G	9'-6"	G	12'-4 7/8"
SL	14'-7 5/8"	SL	7'-0"
SR	16'-11 5/8"	SR	7'-3 1/4"
DL	5'-6"	DL	17'-9"
DR	5'-6"	DR	16'-2 5/8"

NOTICE

SWIMMING POOLS AND ACCESSORIES (INCLUDING DIVING BOARDS) ARE DANGEROUS WHEN IMPROPERLY USED OR INSTALLED. IT IS THE RESPONSIBILITY OF MUNICIPAL OFFICIALS, BUILDERS AND POOL OWNERS TO ADHERE TO ALL SAFETY RECOMMENDATIONS AND STANDARDS ISSUED BY THE POOL & HOT TUB COUNCIL, LOCAL AUTHORITIES AND EQUIPMENT MANUFACTURERS. PLEASE REFER TO DIVING BOARD MANUFACTURERS FOR CORRECT POSITIONING AND INSTALLATION OF DIVING EQUIPMENT.



AQUAPRO

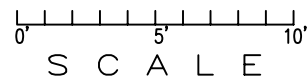
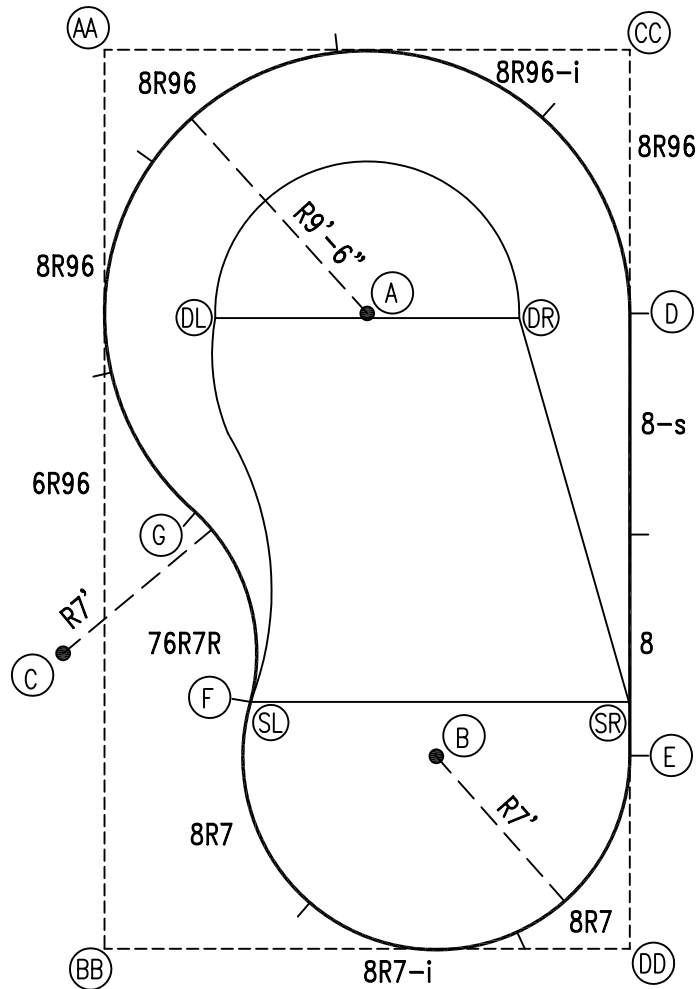
KIDNEY-STRAIGHTBACK-LEFT 19x33

DRAWING REFERENCE #
16-19-33-1

DRAWN BY: JB
REV. 6 DEC 2006
SHEET 1 OF 2

EXTERNAL INSTALLATION DATA

AA TO:		BB TO:		CC TO:		DD TO:	
AA	--	AA	32'-6 1/4"	AA	19'-0"	AA	37'-7 7/8"
BB	--	BB	--	BB	37'-7 7/8"	BB	19'-0"
CC	--	CC	--	CC	--	CC	32'-6 1/4"
A	13'-5 1/2"	A	24'-10 3/8"	A	13'-5 1/2"	A	24'-10 3/8"
B	28'-2 3/4"	B	13'-10 1/2"	B	26'-5 7/8"	B	9'-10 1/2"
C	21'-10 5/8"	C	10'-9 1/2"	C	29'-11 3/8"	C	23'-1 3/8"
D	21'-3 1/8"	D	29'-9 7/8"	D	9'-6 1/2"	D	22'-11 3/4"
E	31'-9 7/8"	E	20'-2 7/8"	E	25'-6 1/2"	E	6'-11 3/4"
F	24'-2 1/8"	F	10'-4 1/2"	F	27'-3 1/2"	F	16'-4 3/8"
G	17'-0 1/2"	G	16'-1 5/8"	G	22'-11 3/8"	G	22'-3 1/4"
SL	24'-2 1/8"	SL	10'-4 1/2"	SL	27'-3 1/2"	SL	16'-4 3/8"
SR	30'-3 1/4"	SR	20'-11 5/8"	SR	23'-7 1/8"	SR	8'-11 1/8"
DL	10'-5 7/8"	DL	23'-1 7/8"	DL	17'-10 3/8"	DL	27'-3 5/8"
DR	17'-10 3/8"	DR	27'-3 5/8"	DR	10'-5 7/8"	DR	23'-1 7/8"



DIAGONALS

F To D:	19'7"
E To G:	18'0"

NOTICE

SWIMMING POOLS AND ACCESSORIES (INCLUDING DIVING BOARDS) ARE DANGEROUS WHEN IMPROPERLY USED OR INSTALLED. IT IS THE RESPONSIBILITY OF MUNICIPAL OFFICIALS, BUILDERS AND POOL OWNERS TO ADHERE TO ALL SAFETY RECOMMENDATIONS AND STANDARDS ISSUED BY THE POOL & HOT TUB COUNCIL, LOCAL AUTHORITIES AND EQUIPMENT MANUFACTURERS. PLEASE REFER TO DIVING BOARD MANUFACTURERS FOR CORRECT POSITIONING AND INSTALLATION OF DIVING EQUIPMENT.

AQUAPRO

KIDNEY-STRAIGHTBACK-LEFT 19x33

DRAWING REFERENCE #

16-19-33-1

DRAWN BY: JB

REV. 6 DEC 2006

SHEET 2 OF 2