

MISCELLANEOUS INFORMATION

PERIMETER:-	87'-6"
SURFACE AREA:	469 SQ FT
VOLUME:	14,583 IMP GALS 66,354 L

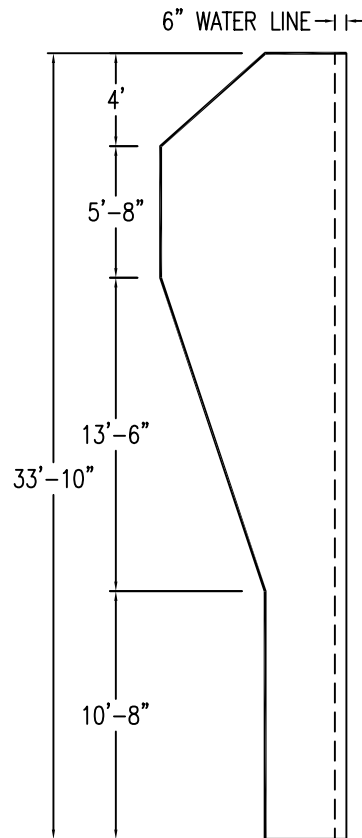
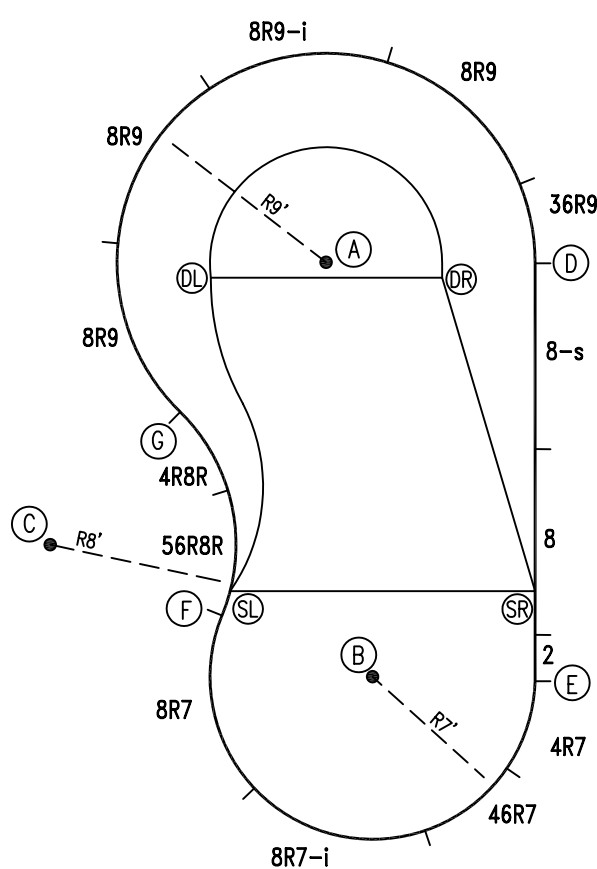
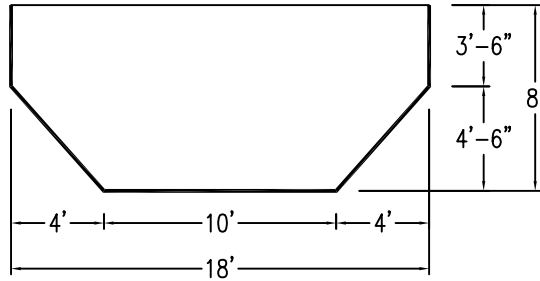
PARTS LIST

CODE	QTY	DESCRIPTION
8-s	1	8' Skimmer
8R9-i	1	8' Return x 9' Radius
8R7-i	1	8' Return x 7' Radius
8R9	3	8' Plain x 9' Radius
36R9	1	3'6" Plain x 9' Radius
8R7	1	8' Plain x 7' Radius
4R7	1	4' Plain x 7' Radius
46R7	1	4'6" Plain x 7' Radius
56R8R	1	5'6" Plain x 8' Reverse Radius
4R8R	1	4' Plain x 8' Reverse Radius
8	1	8' Plain
2	1	2' Plain
AF	14	A-Frame
S	28	Stake
NB	84	Nuts & Bolts

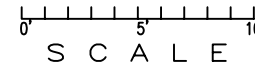
CONCRETE DECK INFO

WIDTH	AREA	NET INCREASES FOR:			
		STEPS	DIVING	SLIDE	ROLLER
2"	189	13	27	24	10
2'6"	240	17	31	20	10
3'	292	20	36	16	10

All Figures Represent "Sq Ft"



*ALL DIMENSIONS ARE FINISHED



INSTALLATION DATA

From Point "A" to:-		From Point "B" to:-	
B	17'-11 1/2"	B	
C	17'-0"	C	15'-0"
D	9'-0"	D	19'-1 1/2"
E	20'-1 7/8"	E	7'-0"
F	15'-10 1/4"	F	7'-0"
G	9'-0"	G	14'-1 1/8"
SL	14'-9 1/8"	SL	7'-1 7/8"
SR	16'-9 3/8"	SR	7'-10 7/8"
DL	5'-0 1/8"	DL	18'-6 1/2"
DR	5'-0 1/2"	DR	17'-5 1/4"

NOTICE

SWIMMING POOLS AND ACCESSORIES (INCLUDING DIVING BOARDS) ARE DANGEROUS WHEN IMPROPERLY USED OR INSTALLED. IT IS THE RESPONSIBILITY OF MUNICIPAL OFFICIALS, BUILDERS AND POOL OWNERS TO ADHERE TO ALL SAFETY RECOMMENDATIONS AND STANDARDS ISSUED BY THE POOL & HOT TUB COUNCIL, LOCAL AUTHORITIES AND EQUIPMENT MANUFACTURERS. PLEASE REFER TO DIVING BOARD MANUFACTURERS FOR CORRECT POSITIONING AND INSTALLATION OF DIVING EQUIPMENT.

AQUAPRO

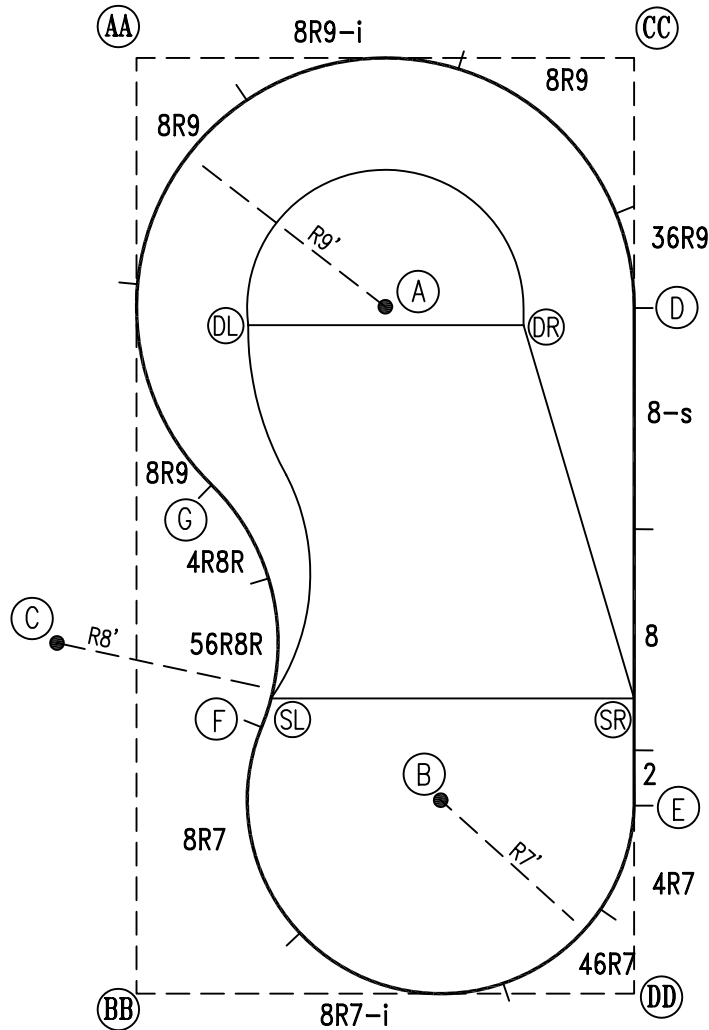
KIDNEY-STRAIGHTBACK-LEFT 18 X 34

DRAWING REFERENCE #
16-18-34-1

DRAWN BY: BKJ
REV. 20 FEB 2007
SHEET 1 OF 2

EXTERNAL INSTALLATION DATA

AA TO:	BB TO:	CC TO:	DD TO:
AA ---	AA 34'-0 1/2"	AA 18'-0"	AA 38'-6 1/8"
BB ---	BB ---	BB 38'-6 1/8"	BB 18'-0"
CC ---	CC ---	CC ---	CC 34'-0 1/2"
A 12'-9 1/8"	A 26'-6 7/8"	A 12'-9 1/8"	A 26'-6 7/8"
B 29'-2 3/8"	B 13'-0 1/2"	B 27'-11 1/4"	B 9'-10 3/4"
C 21'-5 1/4"	C 13'-0 7/8"	C 29'-8 1/2"	C 24'-4 1/2"
D 20'-1 3/4"	D 30'-9 5/8"	D 9'-0 1/2"	D 25'-0"
E 32'-5 7/8"	E 19'-3 3/4"	E 27'-0 1/2"	E 7'-0"
F 25'-5 1/8"	F 9'-11 3/8"	F 28'-6 7/8"	F 16'-4 3/4"
G 16'-0 7/8"	G 18'-6 1/4"	G 21'-8 5/8"	G 23'-6 7/8"
SL 23'-8 1/2"	SL 11'-11 3/4"	SL 26'-6 5/8"	SL 16'-11 1/4"
SR 29'-4"	SR 21'-0 3/8"	SR 23'-2"	SR 10'-10 1/2"
DL 10'-5 3/4"	DL 24'-8 1/2"	DL 16'-11 3/4"	DL 28'-1 1/8"
DR 17'-0 1/8"	DR 28'-1 3/8"	DR 10'-5 1/2"	DR 24'-8 1/2"



DIAGONALS

F To D:	21'1"
E To G:	18'8"

NOTICE

SWIMMING POOLS AND ACCESSORIES (INCLUDING DIVING BOARDS) ARE DANGEROUS WHEN IMPROPERLY USED OR INSTALLED. IT IS THE RESPONSIBILITY OF MUNICIPAL OFFICIALS, BUILDERS AND POOL OWNERS TO ADHERE TO ALL SAFETY RECOMMENDATIONS AND STANDARDS ISSUED BY THE POOL & HOT TUB COUNCIL, LOCAL AUTHORITIES AND EQUIPMENT MANUFACTURERS. PLEASE REFER TO DIVING BOARD MANUFACTURERS FOR CORRECT POSITIONING AND INSTALLATION OF DIVING EQUIPMENT.

AQUAPRO

KIDNEY-STRAIGHTBACK-LEFT 18 X 34

DRAWING REFERENCE #

16-18-34-1

DRAWN BY: BKJ

REV. 20 FEB 2007

SHEET 2 OF 2