

MISCELLANEOUS INFORMATION

PERIMETER:-	81'-6"
SURFACE AREA:	385.3 SQ FT
VOLUME:	11261 IMP GALS 51236 L

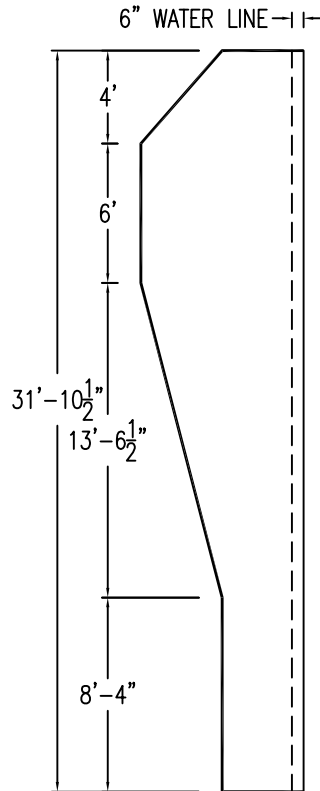
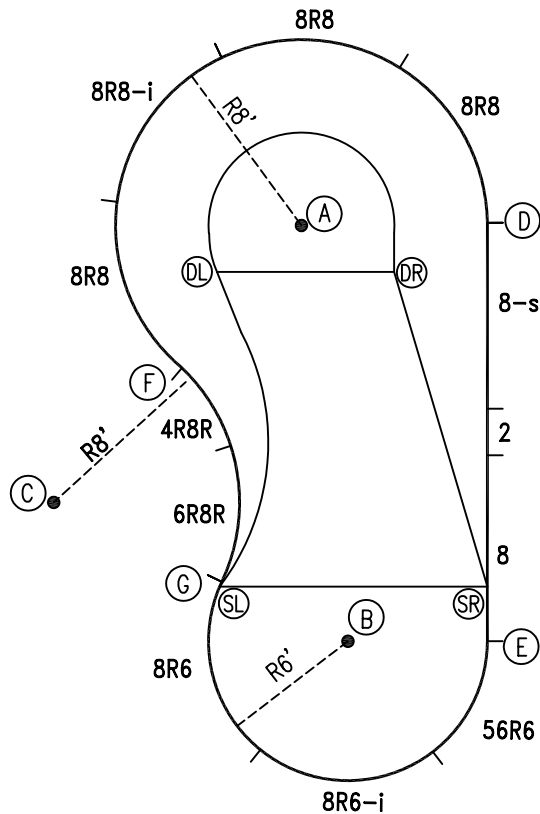
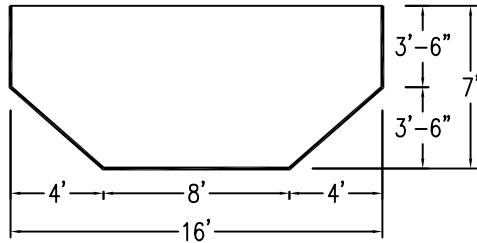
PARTS LIST

CODE	QTY	DESCRIPTION
8-s	1	8' Skimmer
8R8-i	1	8' Return x 8' Radius
8R6-i	1	8' Return x 6' Radius
8R8	3	8' Plain x 8' Radius
8R6	1	8' Plain x 6' Radius
56R6	1	5'6" Plain x 6' Radius
6R8R	1	6' Plain x 8' Reverse Radius
4R8R	1	4' Plain x 8' Reverse Radius
8	1	8' Plain
2	1	2' Plain
AF	12	A-Frame
S	24	Stake
NB	72	Nuts & Bolts

CONCRETE DECK INFO

WIDTH	AREA	NET INCREASES FOR:			
		STEPS	DIVING	SLIDE	ROLLER
2'	175	13	27	24	10
2'6"	223	17	31	20	10
3'	272	20	36	16	10

All Figures Represent "Sq Ft"



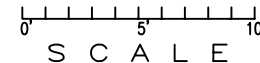
\*ALL DIMENSIONS ARE FINISHED

INSTALLATION DATA

From Point "A" to:-		From Point "B" to:-	
B	18'-0"	B	14'-0"
C	15'-11 7/8"	C	14'-0"
D	8'-0"	D	18'-11 3/4"
E	19'-7 1/8"	E	6'-0"
F	8'-0"	F	13'-9 1/8"
G	15'-8 1/2"	G	6'-0"
SL	15'-11 1/4"	SL	6'-0"
SR	17'-5 3/4"	SR	6'-5 3/8"
DL	4'-1 3/4"	DL	16'-10 3/8"
DR	4'-5 1/2"	DR	16'-0 1/8"

NOTICE

SWIMMING POOLS AND ACCESSORIES (INCLUDING DIVING BOARDS) ARE DANGEROUS WHEN IMPROPERLY USED OR INSTALLED. IT IS THE RESPONSIBILITY OF MUNICIPAL OFFICIALS, BUILDERS AND POOL OWNERS TO ADHERE TO ALL SAFETY RECOMMENDATIONS AND STANDARDS ISSUED BY THE POOL & HOT TUB COUNCIL, LOCAL AUTHORITIES AND EQUIPMENT MANUFACTURERS. PLEASE REFER TO DIVING BOARD MANUFACTURERS FOR CORRECT POSITIONING AND INSTALLATION OF DIVING EQUIPMENT.



AQUAPRO

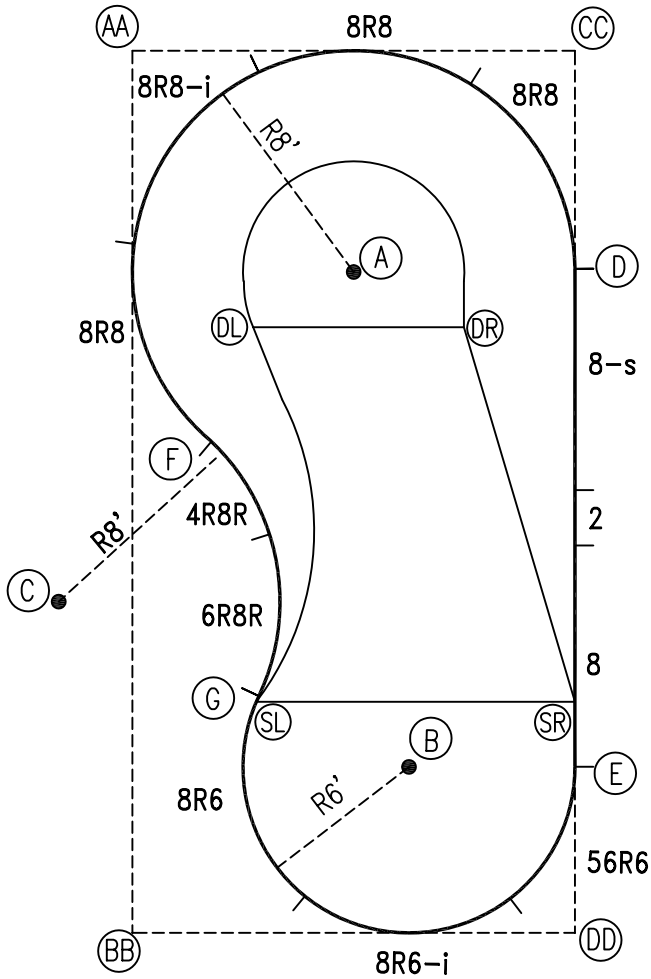
KIDNEY-STRAIGHTBACK-LEFT 16x32

DRAWING REFERENCE #  
16-16-32-1

DRAWN BY: BKJ  
REV. 19 FEB 2007  
SHEET 1 OF 2

EXTERNAL INSTALLATION DATA

AA TO:	BB TO:	CC TO:	DD TO:
AA ---	AA 31'-10 3/4"	AA 16'-0"	AA 35'-8 1/8"
BB ---	BB ---	BB 35'-8 1/8"	BB 16'-0"
CC ---	CC ---	CC ---	CC 31'-10 3/4"
A 11'-3 3/4"	A 25'-2 3/8"	A 11'-3 3/4"	A 25'-2 3/8"
B 27'-9 1/8"	B 11'-7 7/8"	B 26'-6 7/8"	B 8'-5 7/8"
C 20'-1 1/8"	C 12'-3 1/8"	C 27'-3 1/2"	C 22'-2"
D 17'-9 3/4"	D 28'-10 3/4"	D 7'-9 7/8"	D 24'-0 3/4"
E 30'-5 1/8"	E 17'-1 1/8"	E 25'-10 5/8"	E 6'-0 1/8"
F 14'-4 7/8"	F 17'-11 7/8"	F 19'-3 1/2"	F 22'-1 1/8"
G 23'-9 1/4"	G 9'-8 1/2"	G 25'-11 3/4"	G 14'-3 3/8"
SL 23'-11 1/2"	SL 9'-5 3/4"	SL 26'-2 1/2"	SL 14'-2 3/4"
SR 28'-5 1/2"	SR 18'-0 5/8"	SR 23'-6 1/2"	SR 8'-4 1/4"
DL 10'-10 7/8"	DL 22'-3 7/8"	DL 15'-4"	DL 24'-9 1/2"
DR 15'-7 3/8"	DR 24'-11 1/2"	DR 10'-9 1/4"	DR 22'-3 1/8"



DIAGONALS

F To E:	17'-7 5/8"
G To D:	19'-2 1/2"

NOTICE

SWIMMING POOLS AND ACCESSORIES (INCLUDING DIVING BOARDS) ARE DANGEROUS WHEN IMPROPERLY USED OR INSTALLED. IT IS THE RESPONSIBILITY OF MUNICIPAL OFFICIALS, BUILDERS AND POOL OWNERS TO ADHERE TO ALL SAFETY RECOMMENDATIONS AND STANDARDS ISSUED BY THE POOL & HOT TUB COUNCIL, LOCAL AUTHORITIES AND EQUIPMENT MANUFACTURERS. PLEASE REFER TO DIVING BOARD MANUFACTURERS FOR CORRECT POSITIONING AND INSTALLATION OF DIVING EQUIPMENT.

AQUAPRO

KIDNEY-STRAIGHTBACK-LEFT 16x32

DRAWING REFERENCE #  
16-16-32-1

DRAWN BY: BKJ  
REV. 19 FEB 2007  
SHEET 2 OF 2