

MISCELLANEOUS INFORMATION

PERIMETER:-	77'
SURFACE AREA:	363.8 SQ FT
VOLUME:	10568 IMP GALS 48083 L

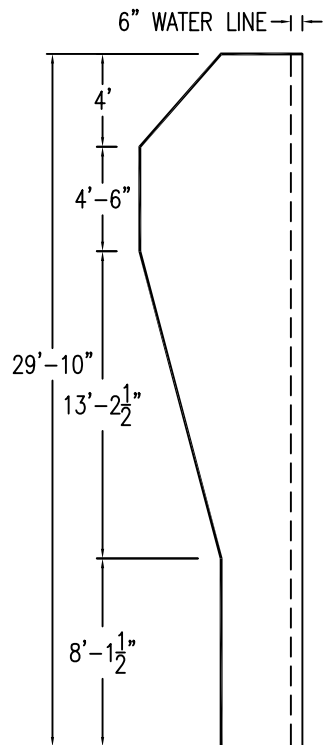
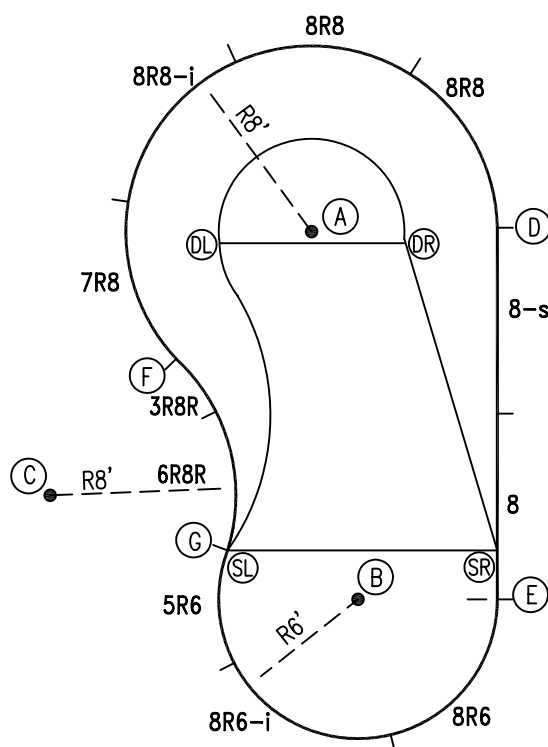
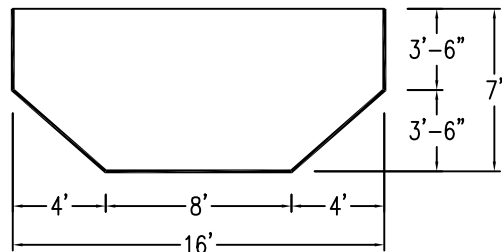
CONCRETE DECK INFO

WIDTH	AREA	NET INCREASES FOR:			
		STEPS	DIVING	SLIDE	ROLLER
2"	167	13	27	24	10
2'6"	213	17	31	20	10
3'	260	20	36	16	10

All Figures Represent "Sq Ft"

PARTS LIST

CODE	QTY	DESCRIPTION
8-s	1	8' Skimmer
8R8-i	1	8' Return x 8' Radius
8R6-i	1	8' Return x 6' Radius
8R8	2	8' Plain x 8' Radius
7R8	1	7' Plain x 8' Radius
8R6	1	8' Plain x 6' Radius
5R6	1	5' Plain x 6' Radius
6R8R	1	6' Plain x 8' Reverse Radius
3R8R	1	3' Plain x 8' Reverse Radius
8	1	8' Plain
AF	11	A-Frame
S	22	Stake
NB	66	Nuts & Bolts

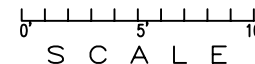


INSTALLATION DATA

From Point "A" to:-		From Point "B" to:-	
B	15'-11 1/2"	B	
C	15'-11 7/8"	C	13'-11 7/8"
D	8'-0"	D	17'-1"
E	17'-8 7/8"	E	6'-0"
F	8'-0"	F	12'-11 3/4"
G	14'-2 3/8"	G	6'-0"
SL	14'-2 3/8"	SL	6'-0"
SR	15'-10 5/8"	SR	6'-4 1/4"
DL	4'-0"	DL	16'-5 1/2"
DR	4'-0"	DR	15'-7 1/2"

NOTICE

SWIMMING POOLS AND ACCESSORIES (INCLUDING DIVING BOARDS) ARE DANGEROUS WHEN IMPROPERLY USED OR INSTALLED. IT IS THE RESPONSIBILITY OF MUNICIPAL OFFICIALS, BUILDERS AND POOL OWNERS TO ADHERE TO ALL SAFETY RECOMMENDATIONS AND STANDARDS ISSUED BY THE POOL & HOT TUB COUNCIL, LOCAL AUTHORITIES AND EQUIPMENT MANUFACTURERS. PLEASE REFER TO DIVING BOARD MANUFACTURERS FOR CORRECT POSITIONING AND INSTALLATION OF DIVING EQUIPMENT.



AQUAPRO

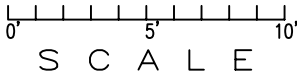
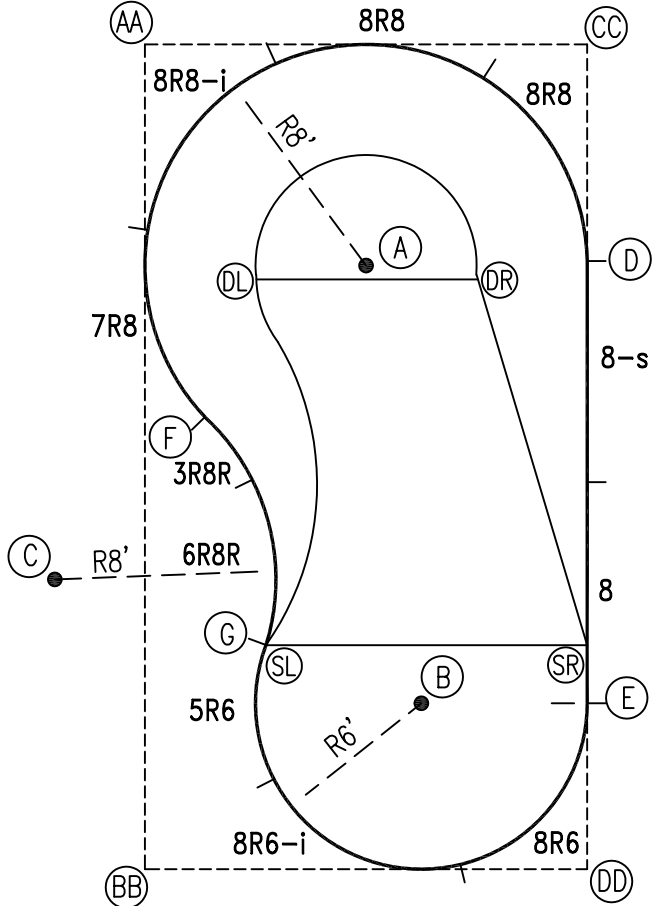
KIDNEY-STRAIGHTBACK-LEFT 16 X 30

DRAWING REFERENCE #
16-16-30-1

DRAWN BY: JB
REV. 6 DEC 2006
SHEET 1 OF 2

EXTERNAL INSTALLATION DATA

AA TO:		BB TO:		CC TO:		DD TO:	
AA	--	AA	29'-9 7/8"	AA	16'-0"	AA	33'-10 1/4"
BB	--	BB	--	BB	33'-10 1/4"	BB	16'-0"
CC	--	CC	--	CC	--	CC	29'-9 7/8"
A	11'-3 3/4"	A	23'-3"	A	11'-3 3/4"	A	23'-3"
B	25'-10 1/8"	B	11'-7 7/8"	B	24'-6 7/8"	B	8'-5 7/8"
C	19'-7 1/2"	C	10'-11 3/4"	C	27'-3 5/8"	C	21'-11 1/8"
D	17'-9 3/4"	D	27'-2 3/8"	D	7'-9 7/8"	D	22'-0"
E	28'-8 1/2"	E	17'-1"	E	23'-9 7/8"	E	6'-0"
F	13'-7 7/8"	F	16'-5 7/8"	F	19'-3 3/4"	F	21'-5"
G	22'-1 7/8"	G	9'-2 5/8"	G	24'-7 5/8"	G	14'-2"
SL	22'-1 7/8"	SL	9'-2 1/2"	SL	24'-7 5/8"	SL	14'-1 7/8"
SR	26'-11 3/4"	SR	17'-11 1/4"	SR	21'-8 3/4"	SR	8'-1 1/4"
DL	9'-4 7/8"	DL	21'-8 1/2"	DL	14'-8 1/8"	DL	24'-5 1/2"
DR	14'-8 7/8"	DR	24'-6"	DR	9'-4 1/2"	DR	21'-8 3/8"



DIAGONALS

F To E:	17'3"
G To D:	18'1"

NOTICE

SWIMMING POOLS AND ACCESSORIES (INCLUDING DIVING BOARDS) ARE DANGEROUS WHEN IMPROPERLY USED OR INSTALLED. IT IS THE RESPONSIBILITY OF MUNICIPAL OFFICIALS, BUILDERS AND POOL OWNERS TO ADHERE TO ALL SAFETY RECOMMENDATIONS AND STANDARDS ISSUED BY THE POOL & HOT TUB COUNCIL, LOCAL AUTHORITIES AND EQUIPMENT MANUFACTURERS. PLEASE REFER TO DIVING BOARD MANUFACTURERS FOR CORRECT POSITIONING AND INSTALLATION OF DIVING EQUIPMENT.

AQUAPRO

KIDNEY-STRAIGHTBACK-LEFT 16X30

DRAWING REFERENCE #
16-16-30-1

DRAWN BY: JB
REV. 6 DEC 2006
SHEET 2 OF 2