

MISCELLANEOUS INFORMATION

PERIMETER:-	71'-3"
SURFACE AREA:	290 SQ FT
VOLUME:	7240 IMP GALS 32942 L

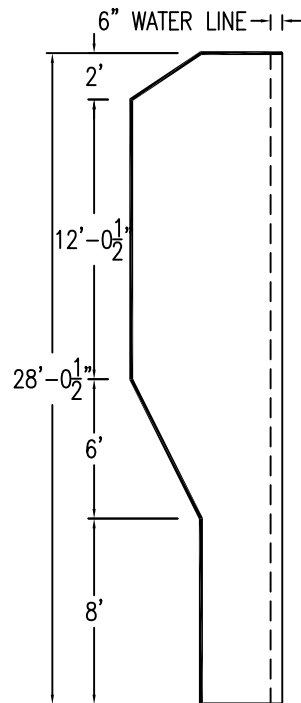
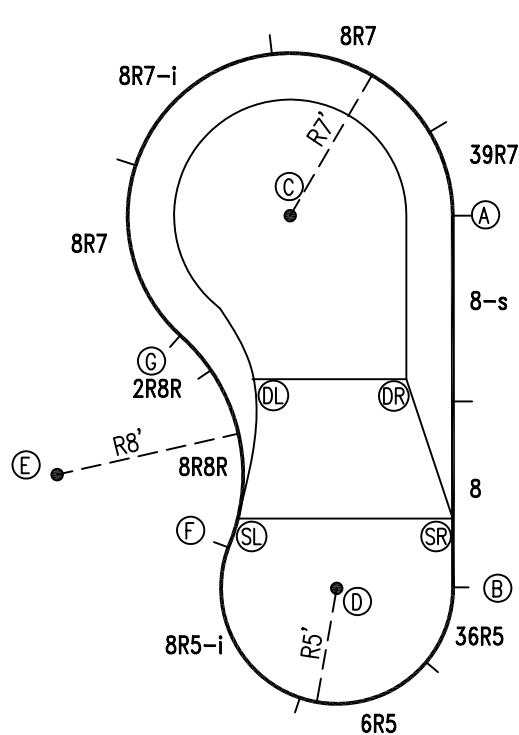
CONCRETE DECK INFO

WIDTH	AREA	NET INCREASES FOR:-			
		STEPS	DIVING	SLIDE	ROLLER
2'	155	13	27	24	10
2'6"	198	17	31	20	10
3'	242	20	36	16	10

All Figures Represent "Sq Ft"

PARTS LIST

CODE	QTY	DESCRIPTION
8-s	1	8' Skimmer
8R5-i	1	8' Return x 5' Radius
8R7-i	1	8' Return x 7' Radius
8R7	2	8' Plain x 7' Radius
39R7	1	3'-9" Plain x 7' Radius
6R5	1	6' Plain x 5' Radius
36R5	1	3'-6" Plain x 5' Radius
8R8R	1	8' Plain x 8' Radius Reverse
2R8R	1	2' Plain x 8' Radius Reverse
8	1	8' Plain
AF	11	A-Frames
S	22	Stake
NB	66	Nuts & Bolts



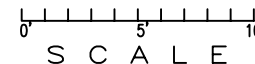
*ALL DIMENSIONS ARE FINISHED

INSTALLATION DATA

From Point "A" to:-		From Point "B" to:-	
B	16'-0"	B	
C	7'-0"	C	17'-5 5/8"
D	16'-9 3/4"	D	5'-0"
E	20'-4 1/4"	E	17'-8 1/2"
F	17'-2 7/8"	F	9'-9 3/4"
G	12'-9 7/8"	G	15'-11 3/4"
SL	15'-11 7/8"	SL	9'-8 5/8"
SR	13'-0 1/2"	SR	2'-11 1/2"
DL	11'-1 1/8"	DL	12'-4 3/4"
DR	7'-3 7/8"	DR	9'-2 1/8"

NOTICE

SWIMMING POOLS AND ACCESSORIES (INCLUDING DIVING BOARDS) ARE DANGEROUS WHEN IMPROPERLY USED OR INSTALLED. IT IS THE RESPONSIBILITY OF MUNICIPAL OFFICIALS, BUILDERS AND POOL OWNERS TO ADHERE TO ALL SAFETY RECOMMENDATIONS AND STANDARDS ISSUED BY THE POOL & HOT TUB COUNCIL, LOCAL AUTHORITIES AND EQUIPMENT MANUFACTURERS. PLEASE REFER TO DIVING BOARD MANUFACTURERS FOR CORRECT POSITIONING AND INSTALLATION OF DIVING EQUIPMENT.



AQUAPRO

KIDNEY-STRAIGHTBACK-LEFT 14x28

DRAWING REFERENCE #
16-14-28-1

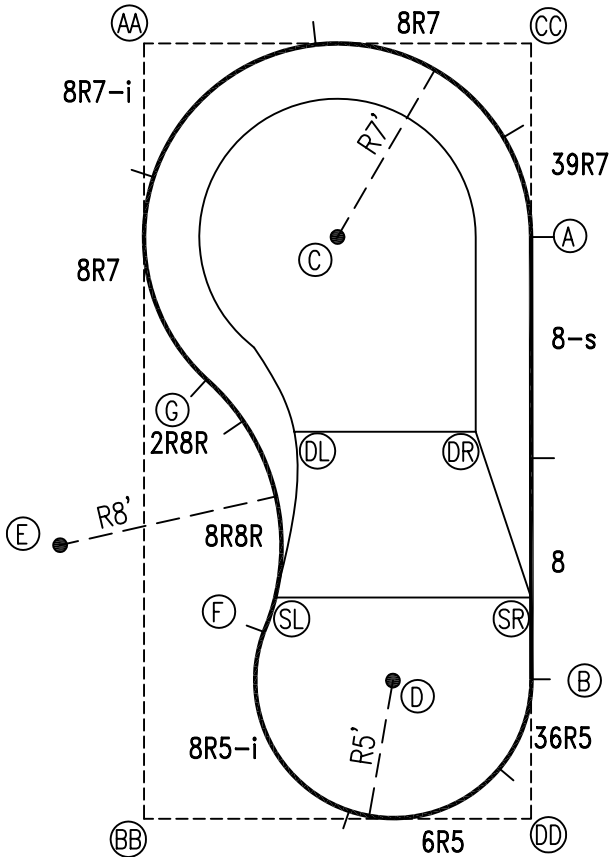
DRAWN BY: GB
REV. 5 JULY 2007
SHEET 1 OF 2

EXTERNAL INSTALLATION DATA

AA TO:	BB TO:	CC TO:	DD TO:
AA	AA 16'-0"	AA 7'-0"	AA 16'-9 3/4"
BB	BB --	BB 17'-5 5/8"	BB 5'-0"
CC	CC --	CC --	CC 16'-2 1/8"
A	A 20'-4 1/4"	A 17'-8 1/2"	A 15'-0"
B	B 17'-2 7/8"	B 9'-9 3/4"	B 14'-6 3/8"
C	C 12'-9 7/8"	C 15'-11 3/4"	C 7'-0"
D	D 15'-11 7/8"	D 9'-8 5/8"	D 13'-2 7/8"
E	E 13'-0 1/2"	E 2'-11 1/2"	E 14'-9 5/8"
F	F 11'-1 1/8"	F 12'-4 3/4"	F 7'-2 5/8"
G	G 7'-3 7/8"	G 9'-2 1/8"	G 8'-7 5/8"
SL	SL 20'-7 1/8"	SL 9'-3 5/8"	SL 22'-0 7/8"
SR	SR 24'-5 3/8"	SR 16'-1 1/2"	SR 20'-0 1/2"
DL	DL 15'-0 3/4"	DL 15'-0 1/4"	DL 16'-5 3/8"
DR	DR 18'-5 5/8"	DR 18'-5 1/4"	DR 14'-2 1/4"

DIAGONALS

A To F:	17'3"
G To H:	16'0"



NOTICE

SWIMMING POOLS AND ACCESSORIES (INCLUDING DIVING BOARDS) ARE DANGEROUS WHEN IMPROPERLY USED OR INSTALLED. IT IS THE RESPONSIBILITY OF MUNICIPAL OFFICIALS, BUILDERS AND POOL OWNERS TO ADHERE TO ALL SAFETY RECOMMENDATIONS AND STANDARDS ISSUED BY THE POOL & HOT TUB COUNCIL, LOCAL AUTHORITIES AND EQUIPMENT MANUFACTURERS. PLEASE REFER TO DIVING BOARD MANUFACTURERS FOR CORRECT POSITIONING AND INSTALLATION OF DIVING EQUIPMENT.

AQUAPRO

KIDNEY-STRAIGHTBACK-LEFT 14x28

DRAWING REFERENCE #
16-14-28-1

DRAWN BY: GB
REV. 5 JULY 2007
SHEET 2 OF 2