

### MISCELLANEOUS INFORMATION

PERIMETER:-	94'8"
SURFACE AREA:	533.3 SQ FT
VOLUME:	15630 IMP GALS 71052 L

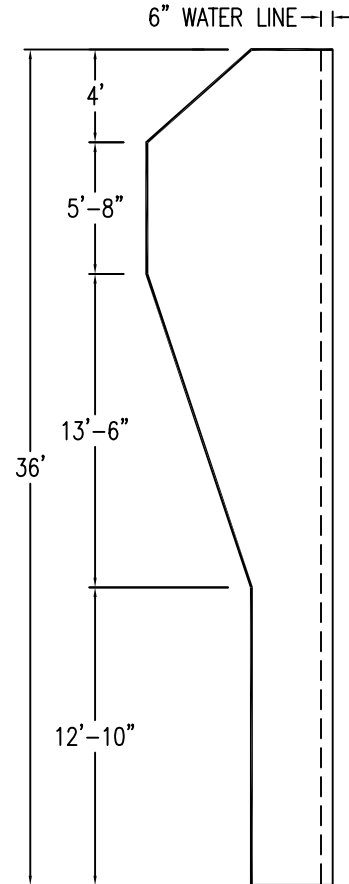
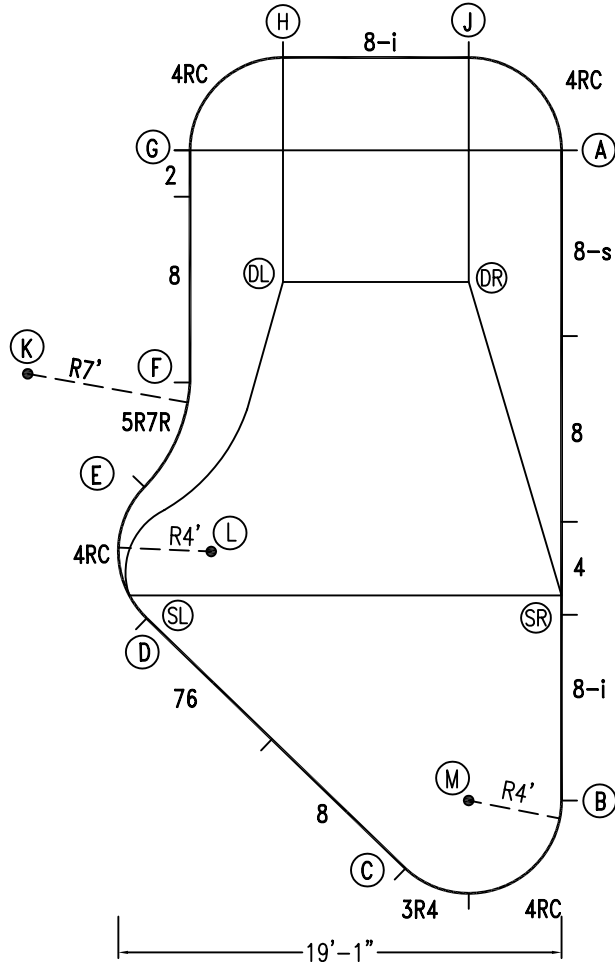
### CONCRETE DECK INFO

WIDTH	AREA	NET INCREASES FOR:			
		STEPS	DIVING	SLIDE	ROLLER
2'	202	13	27	24	10
2'6"	257	17	31	20	10
3'	313	20	36	16	10

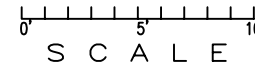
All Figures Represent "Sq Ft"

### PARTS LIST

CODE	QTY	DESCRIPTION
8-s	1	8' Skimmer
8-i	2	8' Return
8	3	8' Plain
76	1	7'6" Plain
4	1	4' Plain
2	1	2' Plain
4RC	4	6'3" Plain x 4' Radius Corner
3R4	1	3' Plain x 4' Radius
5R7R	1	5' Plain x 7' Reverse Radius
AF	15	A-Frame
S	30	Stake
NB	90	Nuts & Bolts



\*ALL DIMENSIONS ARE FINISHED



### INSTALLATION DATA

From Point "A" to:-		From Point "B" to:-	
B	28'-0"	B	7'-4"
C	31'-7 3/4"	C	7'-4"
D	26'-11 1/4"	D	19'-6 1/4"
E	23'-0 7/8"	E	22'-5 5/8"
F	18'-10 3/8"	F	24'-0 7/8"
G	16'-0"	G	32'-2 7/8"
H	12'-7 3/4"	H	34'-2 1/8"
J	5'-7 7/8"	J	32'-2 7/8"
K	24'-11 1/8"	K	29'-5 1/8"
L	22'-11 1/4"	L	18'-6 1/8"
M	28'-3 3/8"	M	4'-0"
SL	26'-8 5/8"	SL	20'-7 1/4"
SR	19'-2"	SR	8'-9 7/8"
DL	13'-3 1/4"	DL	25'-4 1/4"
DR	6'-11 1/4"	DR	22'-8 1/4"

### NOTICE

SWIMMING POOLS AND ACCESSORIES (INCLUDING DIVING BOARDS) ARE DANGEROUS WHEN IMPROPERLY USED OR INSTALLED. IT IS THE RESPONSIBILITY OF MUNICIPAL OFFICIALS, BUILDERS AND POOL OWNERS TO ADHERE TO ALL SAFETY RECOMMENDATIONS AND STANDARDS ISSUED BY THE POOL & HOT TUB COUNCIL, LOCAL AUTHORITIES AND EQUIPMENT MANUFACTURERS. PLEASE REFER TO DIVING BOARD MANUFACTURERS FOR CORRECT POSITIONING AND INSTALLATION OF DIVING EQUIPMENT.

AQUAPRO

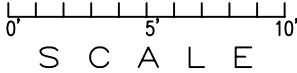
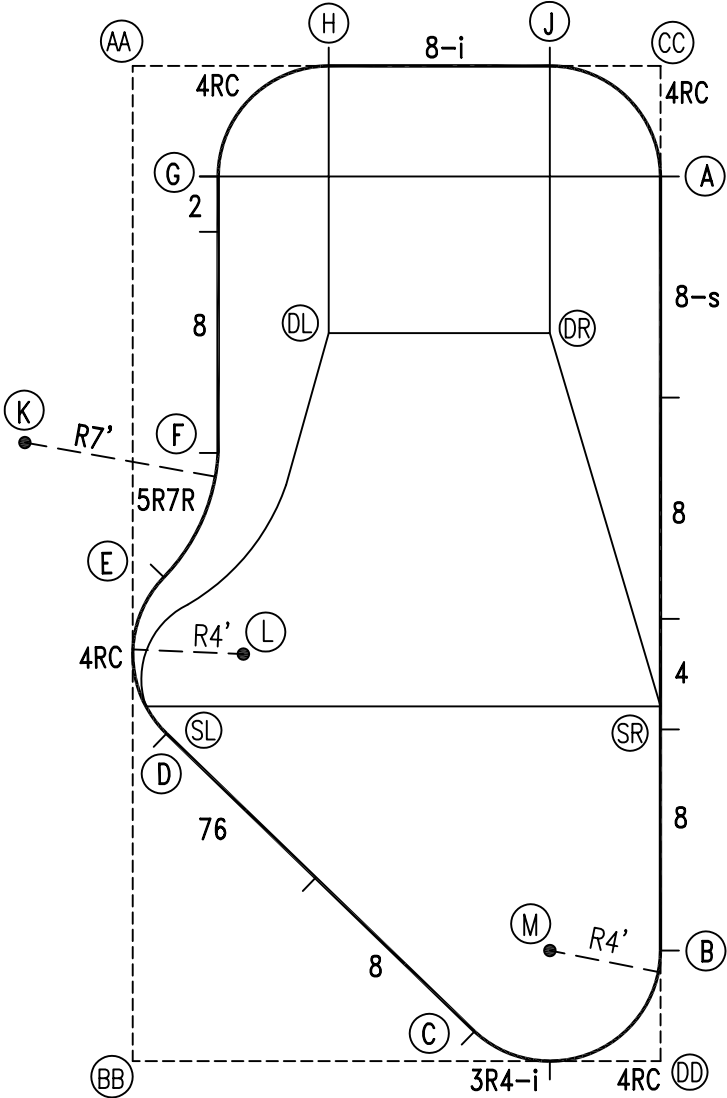
LUCIA - LEFT 16 x 36

DRAWING REFERENCE #  
20-16-36-1

DRAWN BY: BC  
REV. 11 DEC 2006  
SHEET 1 OF 2

EXTERNAL INSTALLATION DATA

AA TO:	BB TO:	CC TO:	DD TO:
AA ---	AA 36'-0"	AA 19'-1"	AA 40'-8 7/8"
BB ---	BB ---	BB 40'-8 7/8"	BB 19'-1"
CC ---	CC ---	CC ---	CC 36'-0"
A 19'-6"	A 37'-3 1/8"	A 4'-0"	A 32'-0"
B 37'-3 1/8"	B 19'-6"	B 32'-0"	B 4'-0"
C 37'-0 5/8"	C 12'-4 7/8"	C 35'-6 7/8"	C 6'-9 3/4"
D 24'-2 1/4"	D 11'-10 7/8"	D 30'-0 1/2"	D 21'-5 1/4"
E 18'-6 3/8"	E 17'-6 1/2"	E 25'-9 3/8"	E 25'-0 7/8"
F 14'-4"	F 22'-2 5/8"	F 21'-3 1/8"	F 27'-2 3/8"
G 5'-0 5/8"	G 32'-1 3/4"	G 16'-5 7/8"	G 35'-9 3/8"
H 7'-1"	H 36'-8 1/4"	H 12'-0"	H 37'-11 3/8"
J 15'-1"	J 39'-0 3/8"	J 4'-0"	J 36'-2 5/8"
K 14'-2 1/8"	K 22'-8 1/2"	K 26'-8 5/8"	K 32'-0 7/8"
L 21'-7 3/4"	L 15'-3 1/8"	L 26'-0 7/8"	L 21'-0 7/8"
M 35'-4 1/2"	M 15'-7 1/4"	M 32'-2 7/8"	M 5'-7 7/8"
SL 23'-2"	SL 12'-10 1/8"	SL 29'-8 5/8"	SL 22'-7 1/4"
SR 30'-0 1/4"	SR 23'-0"	SR 23'-2"	SR 12'-9 7/8"
DL 11'-11 7/8"	DL 27'-3 1/4"	DL 15'-4 7/8"	DL 28'-11 1/4"
DR 17'-11"	DR 30'-4 1/4"	DR 10'-5 1/2"	DR 26'-7 5/8"



NOTICE

SWIMMING POOLS AND ACCESSORIES (INCLUDING DIVING BOARDS) ARE DANGEROUS WHEN IMPROPERLY USED OR INSTALLED. IT IS THE RESPONSIBILITY OF MUNICIPAL OFFICIALS, BUILDERS AND POOL OWNERS TO ADHERE TO ALL SAFETY RECOMMENDATIONS AND STANDARDS ISSUED BY THE POOL & HOT TUB COUNCIL, LOCAL AUTHORITIES AND EQUIPMENT MANUFACTURERS. PLEASE REFER TO DIVING BOARD MANUFACTURERS FOR CORRECT POSITIONING AND INSTALLATION OF DIVING EQUIPMENT.

AQUAPRO

LUCIA - LEFT 16 x 36

DRAWING REFERENCE #  
20-16-36-1

DRAWN BY: BC  
REV. 11 DEC 2006  
SHEET 2 OF 2