

MISCELLANEOUS INFORMATION

PERIMETER:-	112'-9 1/2"
SURFACE AREA:	770.8 SQ FT
VOLUME:	21631 IMP GALS 98421 L

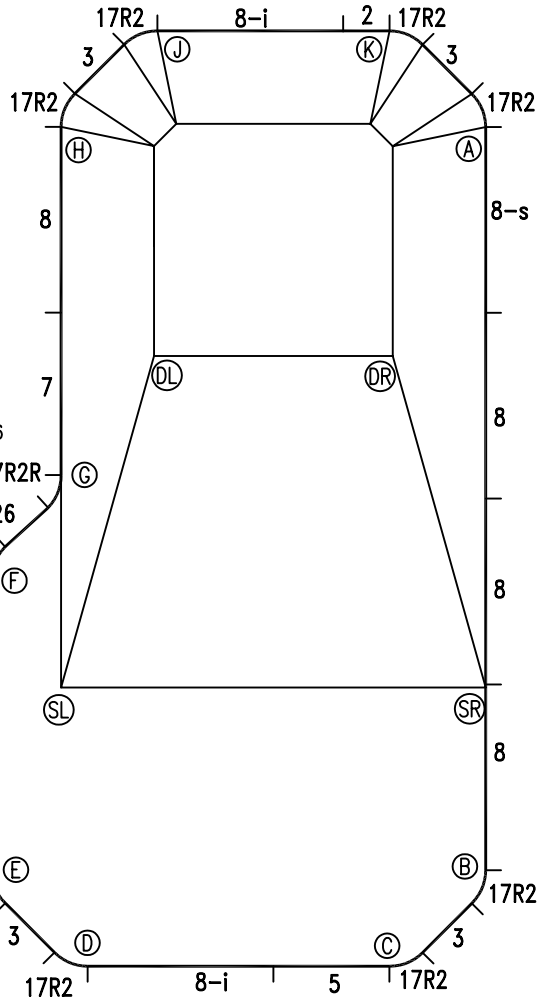
CONCRETE DECK INFO

WIDTH	AREA	NET INCREASES FOR:			
		STEPS	DIVING	SLIDE	ROLLER
2'	239	13	27	24	10
2'6"	303	17	31	20	10
3'	368	20	36	16	10

All Figures Represent "Sq Ft"

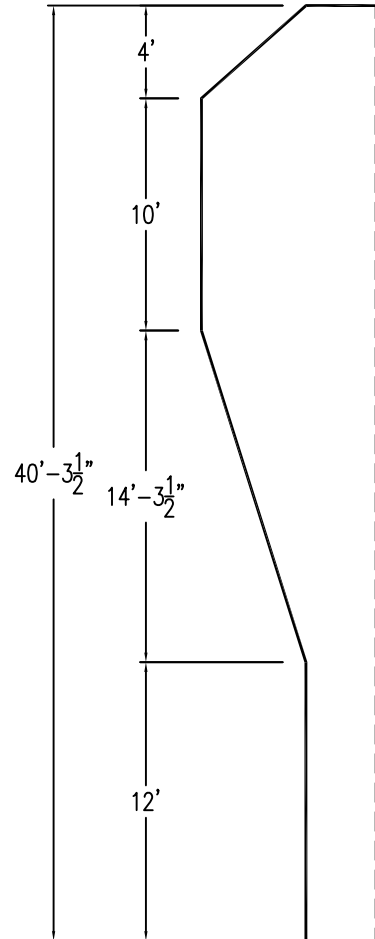
PARTS LIST

CODE	QTY	DESCRIPTION
8-s	1	8' Skimmer
8-i	2	8' Return
8	5	8' Plain
7	1	7' Plain
5	1	5' Plain
46	1	4'6" Plain
3	4	3' Plain
26	1	2'6" Plain
2	1	2' Plain
17R2	9	1'7" Plain x 2' Radius
17R2R	1	1'7" Plain x 2' Reverse Rad
AF	27	A-Frame
S	54	Stake
NB	162	Nuts & Bolts



DRAUGHTING NOTE:
The Panel Coded 26
is drawn as
2'5-23/32"

6" WATER LINE - I -



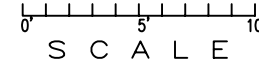
INSTALLATION DATA

From Point "A" to:-		From Point "B" to:-	
B	32'-0 1/8"	B	5'-10 1/4"
C	36'-4 1/2"	C	17'-7 5/8"
D	40'-0"	D	21'-3 3/8"
E	38'-5 1/4"	E	24'-8 1/4"
F	28'-10 3/8"	F	24'-11 1/2"
G	23'-7 7/8"	G	36'-10 3/8"
H	18'-3 3/8"	H	38'-9 3/4"
J	14'-8 3/4"	J	36'-4 5/8"
K	5'-10 1/4"	SL	19'-10 7/8"
SL	30'-3 3/8"	SR	8'-0"
SR	24'-0 1/8"	DL	26'-4 1/4"
DL	17'-4 1/4"	DR	22'-6"
DR	10'-7 3/4"		

NOTICE

SWIMMING POOLS AND ACCESSORIES (INCLUDING DIVING BOARDS) ARE DANGEROUS WHEN IMPROPERLY USED OR INSTALLED. IT IS THE RESPONSIBILITY OF MUNICIPAL OFFICIALS, BUILDERS AND POOL OWNERS TO ADHERE TO ALL SAFETY RECOMMENDATIONS AND STANDARDS ISSUED BY THE POOL & HOT TUB COUNCIL, LOCAL AUTHORITIES AND EQUIPMENT MANUFACTURERS. PLEASE REFER TO DIVING BOARD MANUFACTURERS FOR CORRECT POSITIONING AND INSTALLATION OF DIVING EQUIPMENT.

*ALL DIMENSIONS ARE FINISHED



AQUAPRO

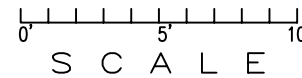
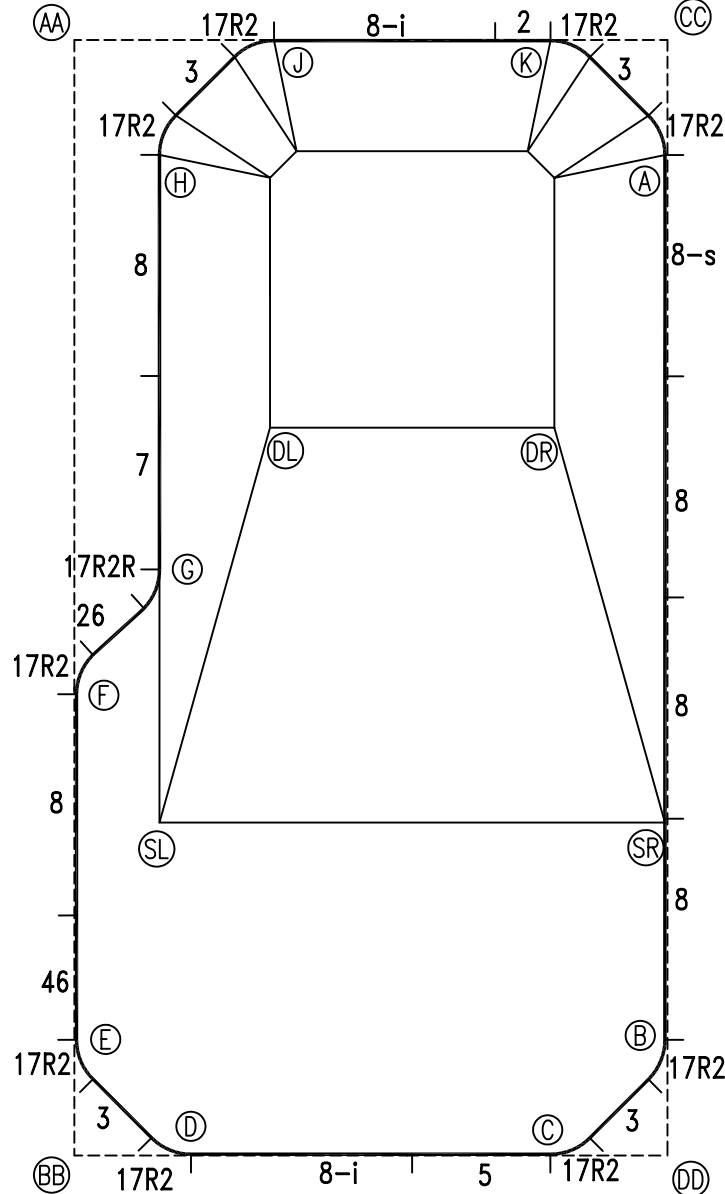
PARADISE-LEFT 19 x 22 x 40

DRAWING REFERENCE #
57-22-40-1

DRAWN BY: BC
REV. 15 DEC 2006
SHEET 1 OF 2

EXTERNAL INSTALLATION DATA

AA TO:	BB TO:	CC TO:	DD TO:
AA ---	AA 40'-4 1/4"	AA 21'-5 3/8"	AA 45'-8 3/8"
BB ---	BB ---	BB 45'-8 3/8"	BB 21'-5 1/2"
CC ---	CC ---	CC ---	CC 40'-4 1/4"
A 21'-10 1/4"	A 42'-0 7/8"	A 4'-1 7/8"	A 36'-2 1/4"
B 42'-0 5/8"	B 21'-10 1/4"	B 36'-2"	B 4'-2 1/8"
C 43'-9 7/8"	C 17'-2 5/8"	C 40'-6 3/8"	C 4'-2 7/8"
D 40'-6 1/4"	D 4'-2 5/8"	D 43'-10"	D 17'-2 7/8"
E 36'-1 7/8"	E 4'-2 1/4"	E 42'-0 1/8"	E 21'-9 3/8"
F 23'-7 7/8"	F 16'-8 1/4"	F 31'-10 5/8"	F 27'-1 3/8"
G 19'-5 1/8"	G 21'-4 5/8"	G 26'-6 3/4"	G 28'-0 3/8"
H 5'-2"	H 36'-3 7/8"	H 18'-10 1/8"	H 40'-7 1/8"
J 7'-2 5/8"	J 40'-11 5/8"	J 14'-2 3/4"	J 42'-9 1/8"
K 17'-2 5/8"	K 43'-10 1/4"	K 4'-2 3/4"	K 40'-6 1/2"
SL 28'-5 5/8"	SL 12'-5 1/8"	SL 33'-8 7/8"	SL 21'-11 5/8"
SR 35'-5 1/2"	SR 24'-6 1/4"	SR 28'-3 5/8"	SR 12'-0 1/2"
DL 15'-8 1/2"	DL 27'-3 1/8"	DL 20'-0 7/8"	DL 29'-11 7/8"
DR 22'-3 7/8"	DR 31'-6 3/8"	DR 14'-7 1/4"	DR 26'-7 3/4"



NOTICE

SWIMMING POOLS AND ACCESSORIES (INCLUDING DIVING BOARDS) ARE DANGEROUS WHEN IMPROPERLY USED OR INSTALLED. IT IS THE RESPONSIBILITY OF MUNICIPAL OFFICIALS, BUILDERS AND POOL OWNERS TO ADHERE TO ALL SAFETY RECOMMENDATIONS AND STANDARDS ISSUED BY THE POOL & HOT TUB COUNCIL, LOCAL AUTHORITIES AND EQUIPMENT MANUFACTURERS. PLEASE REFER TO DIVING BOARD MANUFACTURERS FOR CORRECT POSITIONING AND INSTALLATION OF DIVING EQUIPMENT.

AQUAPRO

PARADISE-LEFT 19 x 22 x 40

DRAWING REFERENCE #
57-22-40-1

DRAWN BY: BC
REV. 15 DEC 2006
SHEET 2 OF 2