

MISCELLANEOUS INFORMATION

PERIMETER:-	63'
SURFACE AREA:	245.5 SQ FT
VOLUME:	6248 IMP GALS 26521 L

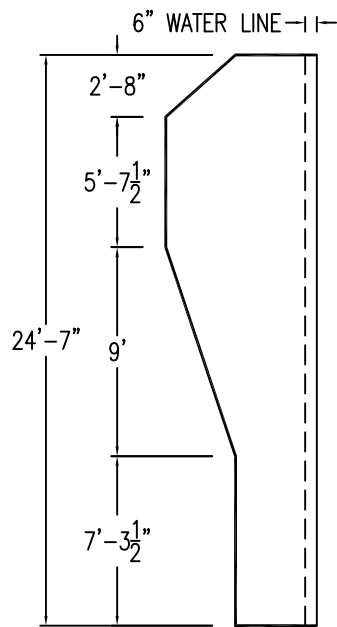
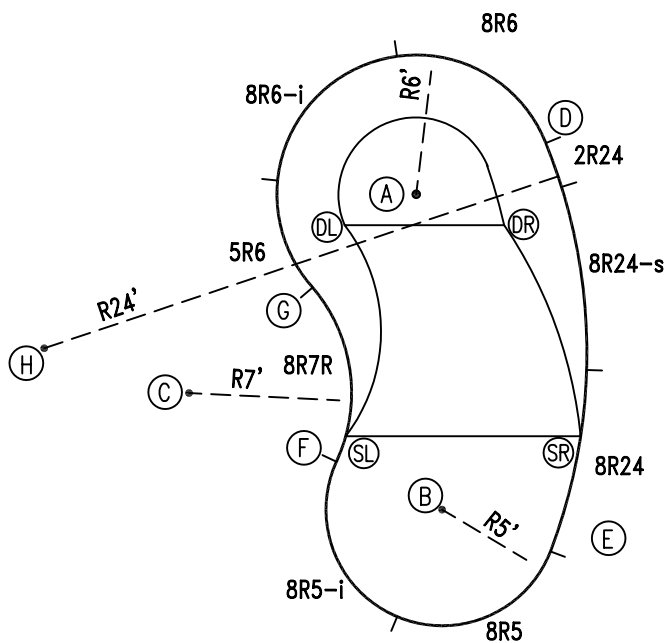
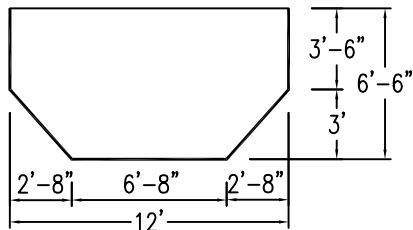
PARTS LIST

CODE	QTY	DESCRIPTION
8R24-s	1	8' Skimmer x 24' Radius
8R6-i	1	8' Return x 6' Radius
8R5-i	1	8' Return x 5' Radius
8R24	1	8' Plain x 24' Radius
2R24	1	2' Plain x 24' Radius
8R6	1	8' Plain x 6' Radius
5R6	1	5' Plain x 6' Radius
8R5	1	8' Plain x 5' Radius
8R7R	1	8' Plain x 7' Reverse Radius
AF	9	A-Frame
S	18	Stake
NB	54	Nuts & Bolts

CONCRETE DECK INFO

WIDTH	AREA	NET INCREASES FOR:			
		STEPS	DIVING	SLIDE	ROLLER
2'	139	13	27	24	10
2'6"	177	17	31	20	10
3'	217	20	36	16	10

All Figures Represent "Sq Ft"



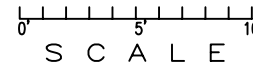
*ALL DIMENSIONS ARE FINISHED

INSTALLATION DATA

From Point "A" to:-		From Point "B" to:-	
B	13'-7"	B	
C	13'-0"	C	12'-0"
D	6'-0"	D	16'-4 7/8"
E	16'-5 1/8"	E	5'-0"
F	12'-0 1/4"	F	5'-0"
G	6'-0"	G	11'-0 7/8"
H	18'-0"	H	19'-0"
SL	10'-10 1/4"	SL	5'-2 5/8"
SR	12'-7 1/8"	SR	6'-9"
DL	3'-4 1/4"	DL	12'-11 3/8"
DR	4'-0 1/4"	DR	12'-6 1/2"

NOTICE

SWIMMING POOLS AND ACCESSORIES (INCLUDING DIVING BOARDS) ARE DANGEROUS WHEN IMPROPERLY USED OR INSTALLED. IT IS THE RESPONSIBILITY OF MUNICIPAL OFFICIALS, BUILDERS AND POOL OWNERS TO ADHERE TO ALL SAFETY RECOMMENDATIONS AND STANDARDS ISSUED BY THE POOL & HOT TUB COUNCIL, LOCAL AUTHORITIES AND EQUIPMENT MANUFACTURERS. PLEASE REFER TO DIVING BOARD MANUFACTURERS FOR CORRECT POSITIONING AND INSTALLATION OF DIVING EQUIPMENT.



AQUAPRO

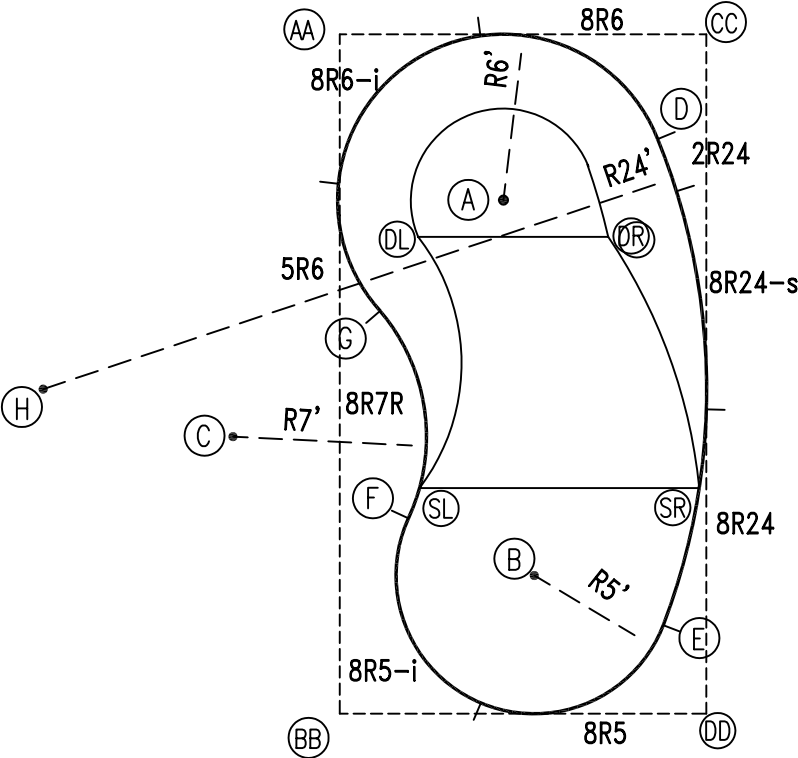
KIDNEY-LEFT 12 x 13'4 x 24

DRAWING REFERENCE #
15-12-24-1

DRAWN BY: JB
REV. 2 FEB 2007
SHEET 1 OF 2

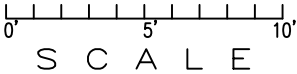
EXTERNAL INSTALLATION DATA

AA TO:	BB TO:	CC TO:	DD TO:
AA	AA 24'-6 7/8"	AA 13'-3 1/8"	AA 27'-11 1/8"
BB	BB --	BB 27'-11 1/8"	BB 13'-3 1/8"
CC	CC --	CC --	CC 24'-6 7/8"
A	A 19'-6"	A 9'-5 3/4"	A 19'-11 3/4"
B	B 8'-7 5/8"	B 20'-6 1/2"	B 7'-11 3/4"
C	C 10'-8 7/8"	C 22'-5 5/8"	C 19'-10 1/8"
D	D 23'-9 1/8"	D 4'-2 1/8"	D 20'-10 3/8"
E	E 12'-1 5/8"	E 21'-5 1/8"	E 3'-6 3/4"
F	F 7'-5 7/8"	F 20'-6 3/4"	F 12'-10 5/8"
G	G 14'-7 3/8"	G 15'-5 5/8"	G 18'-8 7/8"
H	H 15'-10 7/8"	H 27'-2 1/2"	H 26'-8 1/2"
SL	SL 8'-7 7/8"	SL 19'-5"	SL 13'-2 3/8"
SR	SR 15'-4 1/4"	SR 16'-4 7/8"	SR 8'-2"
DL	DL 17'-5 3/4"	DL 12'-8 7/8"	DL 20'-1 7/8"
DR	DR 19'-9 5/8"	DR 8'-1 5/8"	DR 17'-7 3/8"



DIAGONALS

F To D:	16'5"
E To G:	15'4"



NOTICE

SWIMMING POOLS AND ACCESSORIES (INCLUDING DIVING BOARDS) ARE DANGEROUS WHEN IMPROPERLY USED OR INSTALLED. IT IS THE RESPONSIBILITY OF MUNICIPAL OFFICIALS, BUILDERS AND POOL OWNERS TO ADHERE TO ALL SAFETY RECOMMENDATIONS AND STANDARDS ISSUED BY THE POOL & HOT TUB COUNCIL, LOCAL AUTHORITIES AND EQUIPMENT MANUFACTURERS. PLEASE REFER TO DIVING BOARD MANUFACTURERS FOR CORRECT POSITIONING AND INSTALLATION OF DIVING EQUIPMENT.

AQUAPRO

KIDNEY-LEFT 12x13'4x24

DRAWING REFERENCE #
15-12-24-1

DRAWN BY: JB
REV. 2 FEB 2007
SHEET 2 OF 2