

MISCELLANEOUS INFORMATION

PERIMETER:-	95'-6"
SURFACE AREA:	569.8 SQ FT
VOLUME:	16652 IMP GALS 75767 L

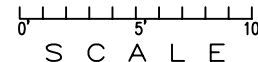
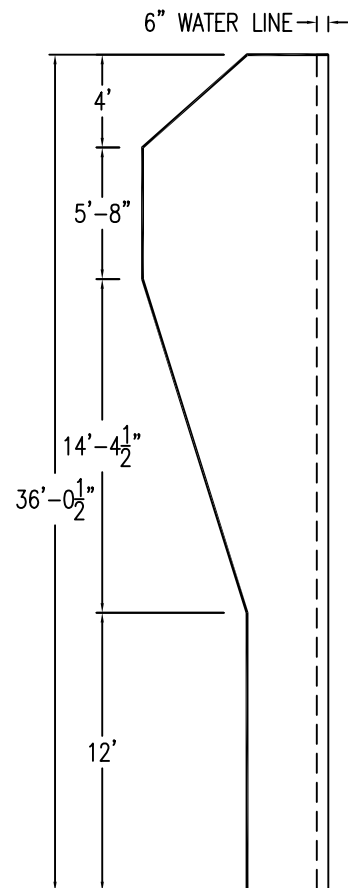
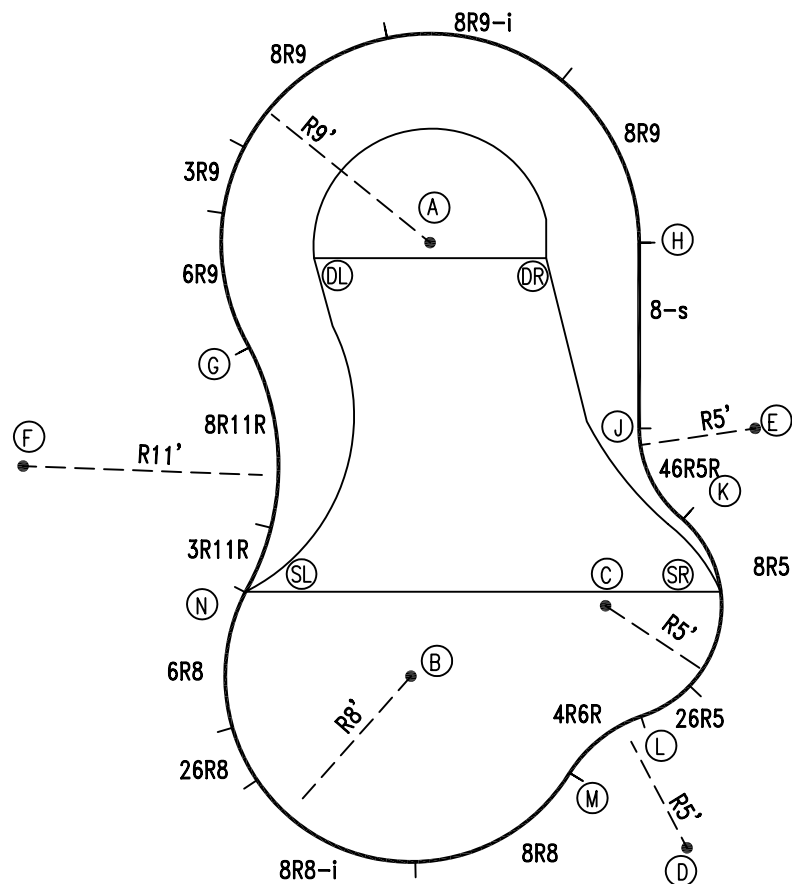
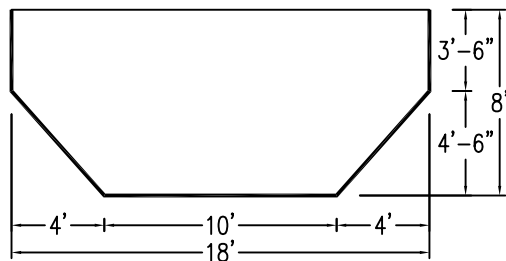
CONCRETE DECK INFO

WIDTH	AREA	NET INCREASES FOR:			
		STEPS	DIVING	SLIDE	ROLLER
2'	204	13	27	24	10
2'6"	258	17	31	20	10
3'	315	20	36	16	10

All Figures Represent "Sq Ft"

PARTS LIST

CODE	QTY	DESCRIPTION
8R11R	1	8' Plain x 11' Reverse Rad
3R11R	1	3' Plain x 11' Reverse Rad
8R9-i	1	8' Return x 9' Rad
8R9	2	8' Plain x 9' Rad
6R9	1	6' Plain x 9' Rad
3R9	1	3' Plain x 9' Rad
8R8-i	1	8' Return x 8' Rad
8R8	1	8' Plain x 8' Rad
6R8	1	6' Plain x 8' Rad
26R8	1	2'6" Plain x 8' Rad
4R6R	1	4' Plain x 6' Reverse Rad
8R5	1	8' Plain x 5' Rad
46R5R	1	4'6" Plain x 5' Reverse Rad
26R5	1	2'6" Plain x 5' Rad
8-s	1	8' Skimmer
AF	16	A-Frame
S	32	Stake
NB	96	Nuts & Bolts



INSTALLATION DATA

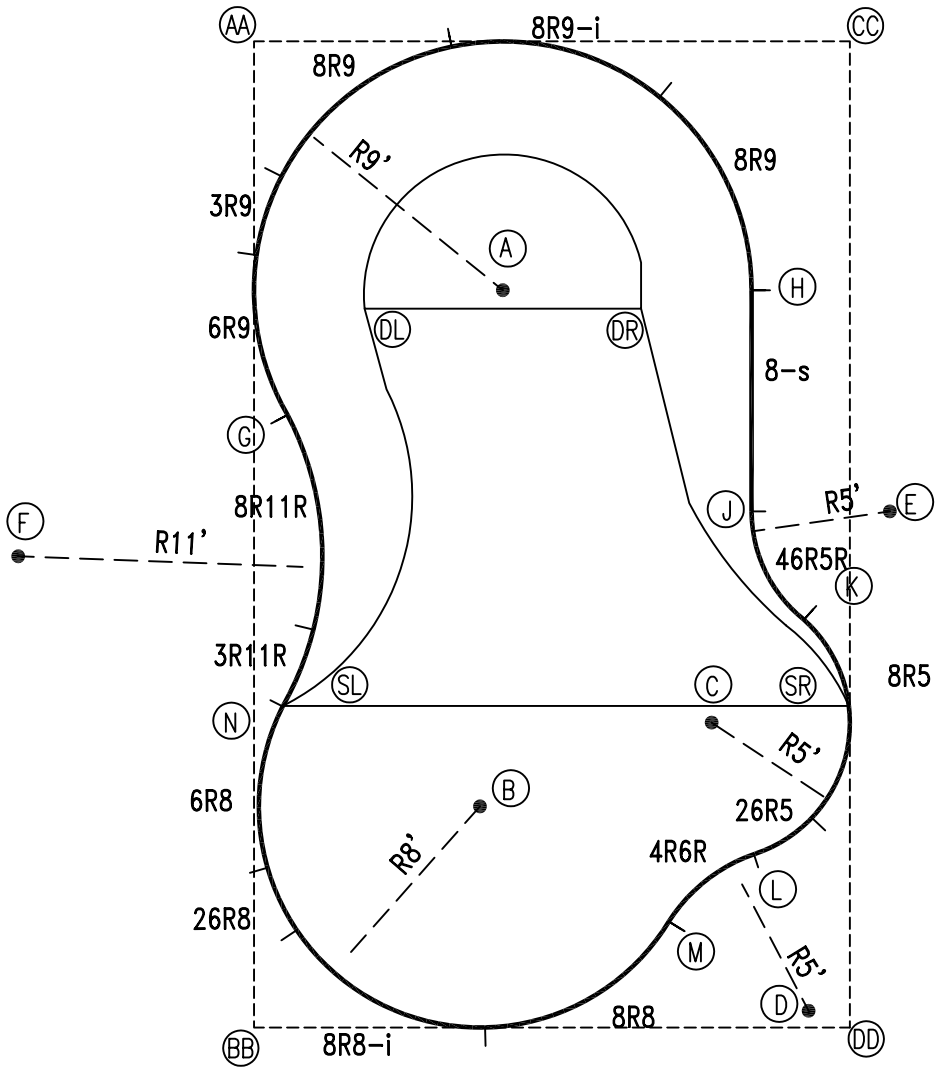
From Point "A" to:-		From Point "B" to:-	
B	18'-8 1/4"	B	8'-10 7/8"
C	17'-4 3/8"	C	14'-0"
D	28'-3 3/4"	D	18'-3 1/4"
E	16'-1 1/2"	E	15'-9 3/8"
F	20'-0"	F	21'-1 1/8"
G	9'-0"	G	14'-6"
H	9'-0"	H	13'-6 1/4"
J	12'-0 1/2"	J	10'-1 1/8"
K	16'-1 3/4"	K	8'-0"
L	22'-4"	L	8'-0"
M	23'-7 3/8"	M	8'-0"
N	17'-0 1/8"	N	8'-0"
SL	17'-0 1/8"	SL	8'-0"
SR	19'-6 3/4"	SR	13'-9 7/8"
DL	5'-0 1/2"	DL	18'-5 3/4"
DR	5'-0 1/2"	DR	18'-11 1/8"

NOTICE

SWIMMING POOLS AND ACCESSORIES (INCLUDING DIVING BOARDS) ARE DANGEROUS WHEN IMPROPERLY USED OR INSTALLED. IT IS THE RESPONSIBILITY OF MUNICIPAL OFFICIALS, BUILDERS AND POOL OWNERS TO ADHERE TO ALL SAFETY RECOMMENDATIONS AND STANDARDS ISSUED BY THE POOL & HOT TUB COUNCIL, LOCAL AUTHORITIES AND EQUIPMENT MANUFACTURERS. PLEASE REFER TO DIVING BOARD MANUFACTURERS FOR CORRECT POSITIONING AND INSTALLATION OF DIVING EQUIPMENT.

EXTERNAL INSTALLATION DATA

AA TO:	BB TO:	CC TO:	DD TO:
AA ---	AA 35'-8"	AA 21'-6 5/8"	AA 41'-8 1/8"
BB ---	BB ---	BB 41'-8 1/8"	BB 21'-6 5/8"
CC ---	CC ---	CC ---	CC 35'-8"
A 12'-8 3/4"	A 28'-1 3/4"	A 15'-5 3/8"	A 29'-5 3/4"
B 28'-10 1/4"	B 11'-5 1/4"	B 30'-8 7/8"	B 15'-7 1/8"
C 29'-8 1/4"	C 19'-10 3/4"	C 25'-1 3/4"	C 12'-1 3/8"
D 40'-4 3/4"	D 20'-0 7/8"	D 35'-1 1/8"	D 1'-7 3/8"
E 28'-7 1/4"	E 29'-7 1/2"	E 17'-0 3/4"	E 18'-8 3/4"
F 20'-5 3/4"	F 19'-0 3/4"	F 35'-4 5/8"	F 34'-6 7/8"
G 13'-6 3/4"	G 22'-2 1/4"	G 24'-5"	G 30'-0 7/8"
H 20'-1 1/2"	H 32'-2 1/8"	H 9'-8 1/8"	H 26'-10 7/8"
J 24'-9 1/8"	J 25'-11 1/4"	J 17'-4 3/8"	J 19'-0 1/8"
K 28'-10 3/8"	K 24'-9 1/4"	K 20'-11 3/4"	K 14'-10 1/8"
L 34'-6 1/4"	L 19'-1 5/8"	L 29'-7 1/4"	L 7'-1 7/8"
M 35'-2 3/8"	M 15'-5 7/8"	M 32'-6"	M 7'-7 1/8"
N 24'-0 7/8"	N 11'-7 7/8"	N 31'-7 3/8"	N 23'-6 7/8"
SL 24'-0 3/4"	SL 11'-8 1/8"	SL 31'-7 1/8"	SL 23'-6 7/8"
SR 32'-3 1/8"	SR 24'-5 1/2"	SR 24'-0 1/2"	SR 11'-7 5/8"
DL 10'-5 1/2"	DL 26'-3 3/4"	DL 20'-0 1/2"	DL 31'-4 1/2"
DR 17'-0 1/8"	DR 29'-6 3/8"	DR 12'-3 1/4"	DR 27'-0 7/8"



0' 5' 10'  
SCALE

NOTICE

SWIMMING POOLS AND ACCESSORIES (INCLUDING DIVING BOARDS) ARE DANGEROUS WHEN IMPROPERLY USED OR INSTALLED. IT IS THE RESPONSIBILITY OF MUNICIPAL OFFICIALS, BUILDERS AND POOL OWNERS TO ADHERE TO ALL SAFETY RECOMMENDATIONS AND STANDARDS ISSUED BY THE POOL & HOT TUB COUNCIL, LOCAL AUTHORITIES AND EQUIPMENT MANUFACTURERS. PLEASE REFER TO DIVING BOARD MANUFACTURERS FOR CORRECT POSITIONING AND INSTALLATION OF DIVING EQUIPMENT.

AQUAPRO

VISTA - LEFT 18 x 36

DRAWING REFERENCE #  
92-18-36-1

DRAWN BY: BC  
REV. 07 FEB 2007  
SHEET 2 OF 2