

MISCELLANEOUS INFORMATION

PERIMETER:	99'-0"
SURFACE AREA:	631.7 SQ FT
VOLUME:	18844 IMP GALS 85741L

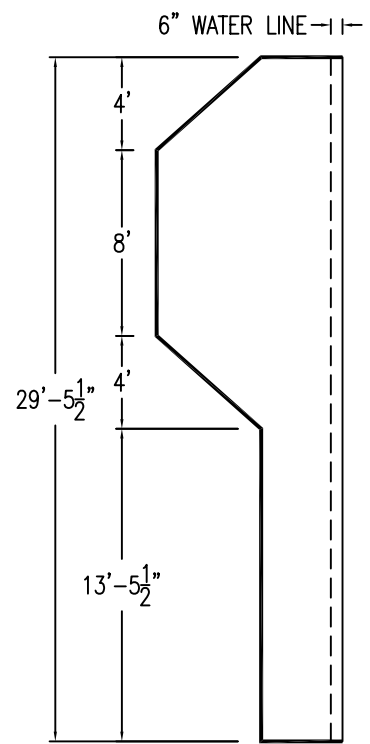
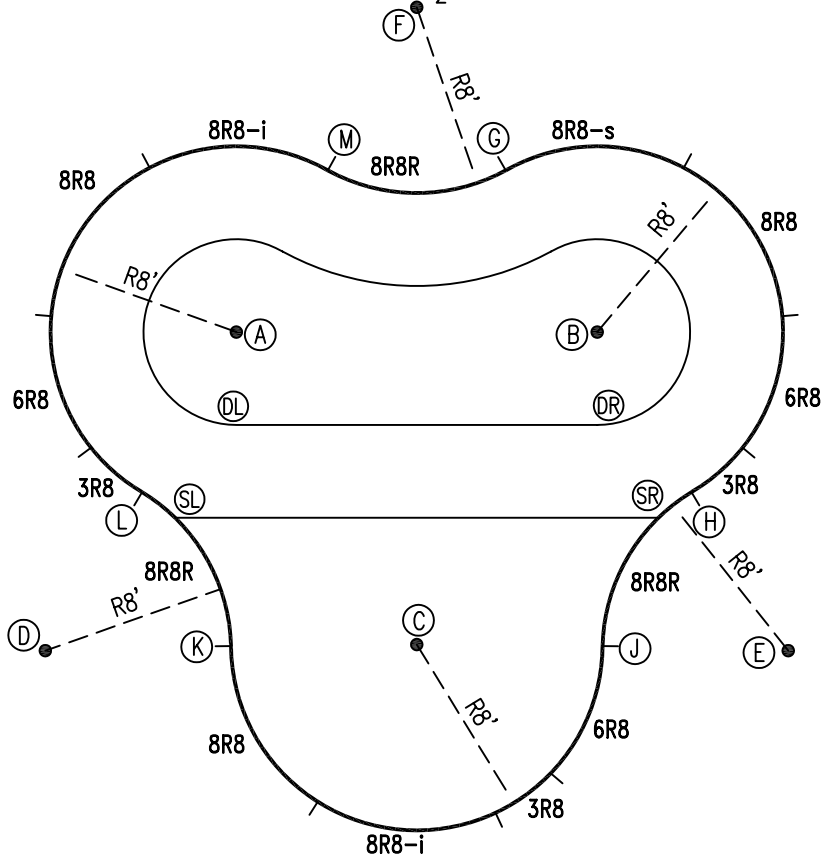
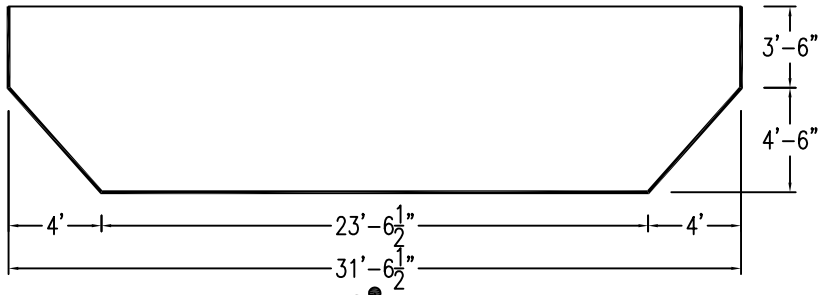
PARTS LIST

CODE	QTY	DESCRIPTION
8R8-s	1	8' Skimmer x 8' Radius
8R8-i	2	8' Return x 8' Radius
8R8	3	8' Plain x 8' Radius
6R8	3	6' Plain x 8' Radius
3R8	3	3' Plain x 8' Radius
8R8R	3	8' Plain x 8' Reverse Rad
AF	15	A-Frame
S	30	Stake
NB	90	Nuts & Bolts

CONCRETE DECK INFO

WIDTH	AREA	NET INCREASES FOR:			
		STEPS	DIVING	SLIDE	ROLLER
2'	210	13	27	24	10
2'6"	267	17	31	20	10
3'	325	20	36	16	10

All Figures Represent "Sq Ft"



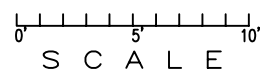
INSTALLATION DATA

From Point "A" to:-		From Point "B" to:-	
B	15'-6 1/2"	B	15'-6 1/2"
C	15'-6 1/2"	C	15'-6 1/2"
D	16'-0"	D	27'-5 3/8"
E	27'-5 3/8"	E	16'-0"
F	16'-0"	F	16'-0"
G	13'-6 3/8"	G	8'-0"
H	20'-9 3/8"	H	8'-0"
J	20'-9 3/8"	J	13'-6 3/8"
K	13'-6 3/8"	K	20'-9 3/8"
L	8'-0"	L	20'-9 3/8"
M	8'-0"	M	13'-6 3/8"
SL	8'-5 1/8"	SL	19'-10 3/8"
SR	19'-10 3/8"	SR	8'-5 1/8"
DL	4'-0"	DL	16'-0 5/8"
DR	16'-0 5/8"	DR	4'-0"

NOTICE

SWIMMING POOLS AND ACCESSORIES (INCLUDING DIVING BOARDS) ARE DANGEROUS WHEN IMPROPERLY USED OR INSTALLED. IT IS THE RESPONSIBILITY OF MUNICIPAL OFFICIALS, BUILDERS AND POOL OWNERS TO ADHERE TO ALL SAFETY RECOMMENDATIONS AND STANDARDS ISSUED BY THE POOL & HOT TUB COUNCIL, LOCAL AUTHORITIES AND EQUIPMENT MANUFACTURERS. PLEASE REFER TO DIVING BOARD MANUFACTURERS FOR CORRECT POSITIONING AND INSTALLATION OF DIVING EQUIPMENT.

*ALL DIMENSIONS ARE FINISHED



AQUAPRO

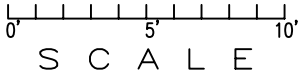
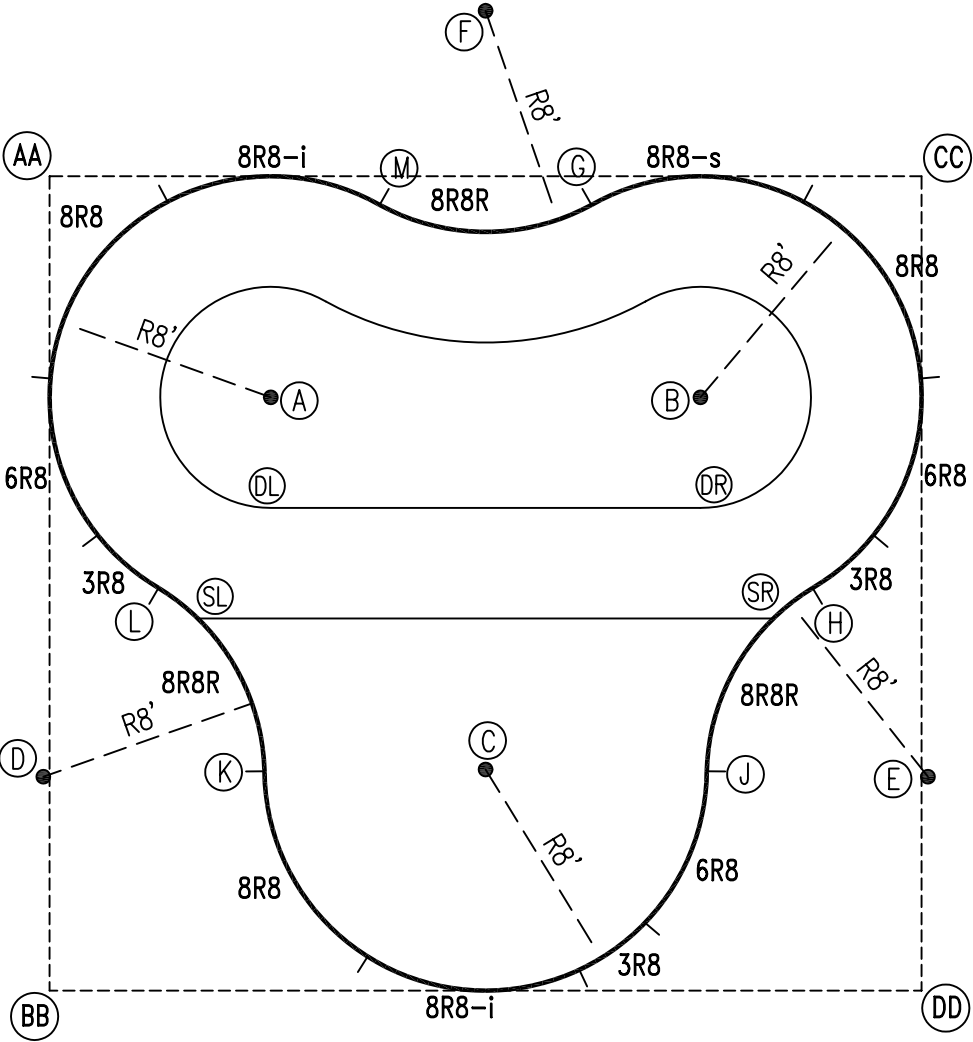
CLOVERLEAF - 29 x 32

DRAWING REFERENCE #
7-29-32-1

DRAWN BY: JB
REV. 22 NOV 2006
SHEET 1 OF 2

EXTERNAL INSTALLATION DATA

AA TO:	BB TO:	CC TO:	DD TO:
AA	AA 29'-5 1/2"	AA 31'-6 1/2"	AA 43'-1 7/8"
BB	BB ---	BB 43'-1 7/8"	BB 31'-6 1/2"
CC	CC ---	CC ---	CC 29'-5 1/2"
A	A 11'-3 3/4"	A 22'-10 7/8"	A 24'-10 3/8"
B	B 24'-10 3/8"	B 31'-10 1/4"	B 11'-3 3/4"
C	C 26'-7 5/8"	C 17'-8 1/4"	C 26'-7 5/8"
D	D 21'-8 5/8"	D 7'-8 7/8"	D 38'-5 7/8"
E	E 38'-5 7/8"	E 32'-8 3/8"	E 21'-8 5/8"
F	F 16'-10 3/8"	F 38'-9 1/2"	F 16'-10 3/8"
G	G 19'-7 1/2"	G 34'-6 1/4"	G 11'-11 7/8"
H	H 31'-4 3/8"	H 31'-2 1/2"	H 15'-4 7/8"
J	J 32'-0 7/8"	J 25'-0 3/4"	J 22'-10 5/8"
K	K 22'-10 5/8"	K 11'-1 1/4"	K 32'-0 7/8"
L	L 15'-4 7/8"	L 15'-1 1/8"	L 31'-4 3/8"
M	M 11'-11 3/4"	M 30'-9 7/8"	M 19'-7 5/8"
SL	SL 16'-10 1/2"	SL 14'-5 7/8"	SL 30'-8 1/8"
SR	SR 30'-8 1/8"	SR 29'-5 1/4"	SR 16'-10 1/2"
DL	DL 14'-5 1/8"	DL 19'-2 1/2"	DL 26'-5 1/8"
DR	DR 26'-5 1/8"	DR 29'-3 3/4"	DR 14'-5 1/8"



NOTICE

SWIMMING POOLS AND ACCESSORIES (INCLUDING DIVING BOARDS) ARE DANGEROUS WHEN IMPROPERLY USED OR INSTALLED. IT IS THE RESPONSIBILITY OF MUNICIPAL OFFICIALS, BUILDERS AND POOL OWNERS TO ADHERE TO ALL SAFETY RECOMMENDATIONS AND STANDARDS ISSUED BY THE POOL & HOT TUB COUNCIL, LOCAL AUTHORITIES AND EQUIPMENT MANUFACTURERS. PLEASE REFER TO DIVING BOARD MANUFACTURERS FOR CORRECT POSITIONING AND INSTALLATION OF DIVING EQUIPMENT.

AQUAPRO

CLOVERLEAF - 29 x 32

DRAWING REFERENCE #
7-29-32-1

DRAWN BY: JB
REV. 22 NOV 2006
SHEET 2 OF 2