

MISCELLANEOUS INFORMATION

PERIMETER:-	94'
SURFACE AREA:	537.6 SQ FT
VOLUME:	15733 IMP GALS 71584 L

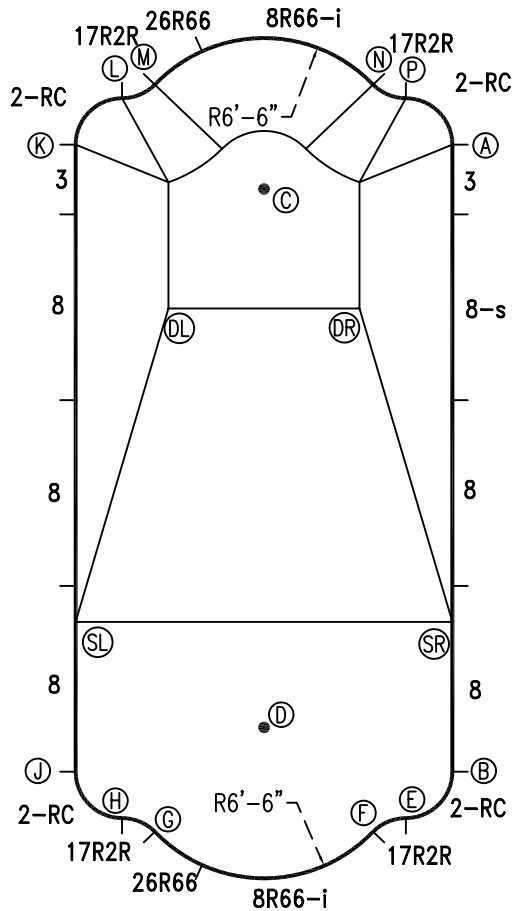
CONCRETE DECK INFO

WIDTH	AREA	NET INCREASES FOR:			
		STEPS	DIVING	SLIDE	ROLLER
2'	200	13	27	24	10
2'6"	254	17	31	20	10
3'	310	20	36	16	10

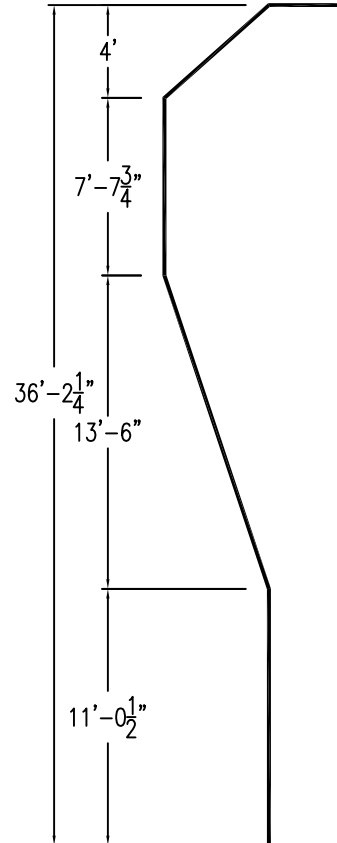
All Figures Represent "Sq Ft"

PARTS LIST

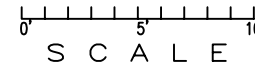
CODE	QTY	DESCRIPTION
8R66-i	2	8' Return x 6'6" Radius
26R66	2	2'6" Plain x 6'6" Rad
2RC	4	3'2" Plain x 2' Rad
17R2R	4	1'7" Plain x 2' Reverse Rad
8-s	1	8' Skimmer
8	5	8' Plain
3	2	3' Plain
AF	20	A-Frames
S	40	Stakes
NB	120	Nuts & Bolts



6" WATER LINE - I - I -



*ALL DIMENSIONS ARE FINISHED



INSTALLATION DATA

From Point "A" to:-		From Point "B" to:-	
B	27'-0"	B	26'-4 1/2"
C	8'-3 7/8"	C	8'-3 7/8"
D	26'-4 1/2"	D	8'-3 7/8"
E	29'-0 7/8"	E	2'-9 7/8"
F	29'-9 3/8"	F	4'-3 3/8"
G	32'-2 7/8"	G	13'-0 7/8"
H	32'-3 5/8"	H	14'-4 3/8"
J	31'-5 7/8"	J	16'-2 3/4"
K	16'-2 3/4"	K	31'-5 7/8"
L	14'-4 3/8"	L	32'-3 5/8"
M	13'-0 7/8"	M	32'-2 7/8"
N	4'-3 3/8"	N	29'-9 3/8"
P	2'-9 7/8"	P	29'-0 7/8"
SL	26'-2 1/4"	SL	17'-5 1/2"
SR	20'-6 5/8"	SR	6'-5 3/8"
DL	14'-1 3/8"	DL	23'-4 3/4"
DR	8'-1 1/4"	DR	20'-4 1/8"

NOTICE

SWIMMING POOLS AND ACCESSORIES (INCLUDING DIVING BOARDS) ARE DANGEROUS WHEN IMPROPERLY USED OR INSTALLED. IT IS THE RESPONSIBILITY OF MUNICIPAL OFFICIALS, BUILDERS AND POOL OWNERS TO ADHERE TO ALL SAFETY RECOMMENDATIONS AND STANDARDS ISSUED BY THE POOL & HOT TUB COUNCIL, LOCAL AUTHORITIES AND EQUIPMENT MANUFACTURERS. PLEASE REFER TO DIVING BOARD MANUFACTURERS FOR CORRECT POSITIONING AND INSTALLATION OF DIVING EQUIPMENT.

AQUAPRO

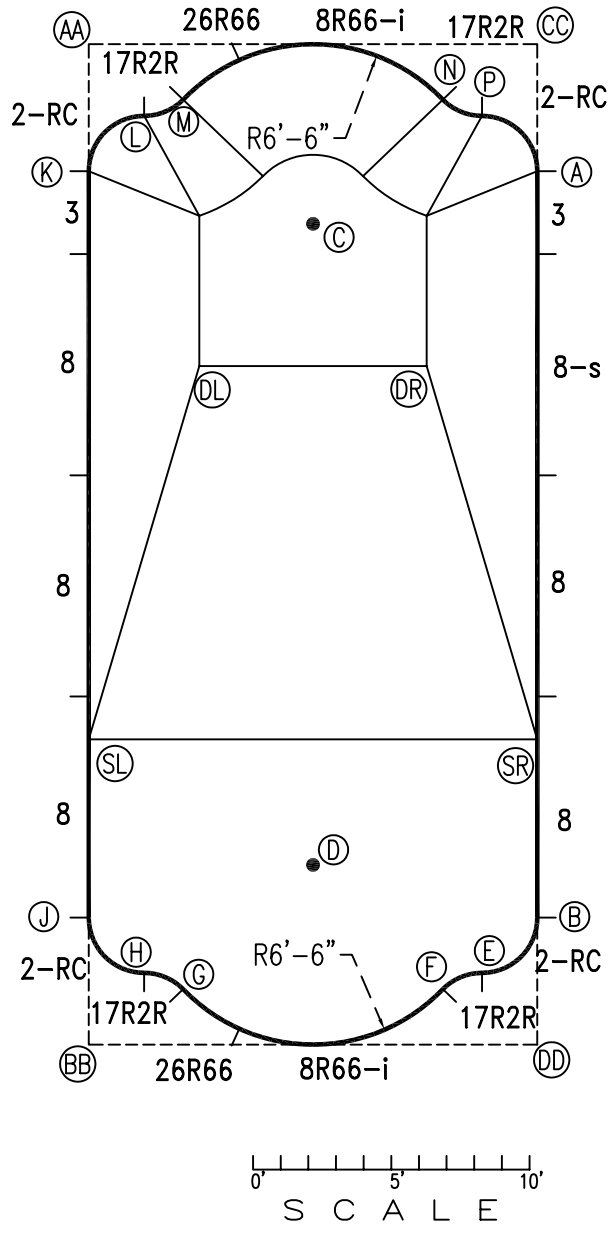
ROMAN

16 x 36

DRAWING REFERENCE #
75-16-36-1

DRAWN BY: GB
REV. 13 JULY 2007
SHEET 1 OF 2

EXTERNAL INSTALLATION DATA



AA TO:	BB TO:	CC TO:	DD TO:
AA ---	AA 36'-2 1/4"	AA 16'-2 3/4"	AA 39'-7 7/8"
BB ---	BB ---	BB 39'-7 7/8"	BB 16'-2 3/4"
CC ---	CC ---	CC ---	CC 36'-2 1/4"
A 16'-10 3/8"	A 35'-6 1/4"	A 4'-7 1/8"	A 31'-7 1/8"
B 35'-6 1/4"	B 16'-10 3/8"	B 31'-7 1/8"	B 4'-7 1/8"
C 10'-4 3/4"	C 30'-9 1/4"	C 10'-4 3/4"	C 30'-9 1/4"
D 30'-9 1/4"	D 10'-4 3/4"	D 30'-9 1/4"	D 10'-4 3/4"
E 36'-5 3/4"	E 14'-5 1/2"	E 33'-7 7/8"	E 3'-3 1/4"
F 36'-6"	F 12'-11 5/8"	F 34'-4 1/4"	F 3'-11 1/2"
G 34'-4 1/4"	G 3'-11 1/2"	G 36'-6"	G 12'-11 5/8"
H 33'-7 7/8"	H 3'-3 1/4"	H 36'-5 3/4"	H 14'-5 1/2"
J 31'-7 1/8"	J 4'-7 1/8"	J 35'-6 1/4"	J 16'-10 3/8"
K 4'-7 1/8"	K 31'-7 1/8"	K 16'-10 3/8"	K 35'-6 1/4"
L 3'-3 1/4"	L 33'-7 7/8"	L 14'-5 1/2"	L 36'-5 3/4"
M 3'-11 1/2"	M 34'-4 1/4"	M 12'-11 5/8"	M 36'-6"
N 12'-11 5/8"	N 36'-6"	N 3'-11 1/2"	N 34'-4 1/4"
P 14'-5 1/2"	P 36'-5 3/4"	P 3'-3 1/4"	P 33'-7 7/8"
SL 25'-1 3/4"	SL 11'-0 1/2"	SL 29'-11 1/8"	SL 19'-7 1/2"
SR 29'-11 1/8"	SR 19'-7 1/2"	SR 25'-1 3/4"	SR 11'-0 1/2"
DL 12'-3 3/4"	DL 24'-10 3/8"	DL 16'-10 5/8"	DL 27'-5"
DR 16'-10 5/8"	DR 27'-5"	DR 12'-3 3/4"	DR 24'-10 3/8"

NOTICE

SWIMMING POOLS AND ACCESSORIES (INCLUDING DIVING BOARDS) ARE DANGEROUS WHEN IMPROPERLY USED OR INSTALLED. IT IS THE RESPONSIBILITY OF MUNICIPAL OFFICIALS, BUILDERS AND POOL OWNERS TO ADHERE TO ALL SAFETY RECOMMENDATIONS AND STANDARDS ISSUED BY THE POOL & HOT TUB COUNCIL, LOCAL AUTHORITIES AND EQUIPMENT MANUFACTURERS. PLEASE REFER TO DIVING BOARD MANUFACTURERS FOR CORRECT POSITIONING AND INSTALLATION OF DIVING EQUIPMENT.

AQUAPRO

ROMAN

16 x 36

DRAWING REFERENCE #
75-16-36-1

DRAWN BY: GB
REV. 13 JULY 2007
SHEET 2 OF 2