

MISCELLANEOUS INFORMATION

PERIMETER:-	99'-10 1/4
SURFACE AREA:	615.7 SQ FT
VOLUME:	18824 IMP GALS 85652 L

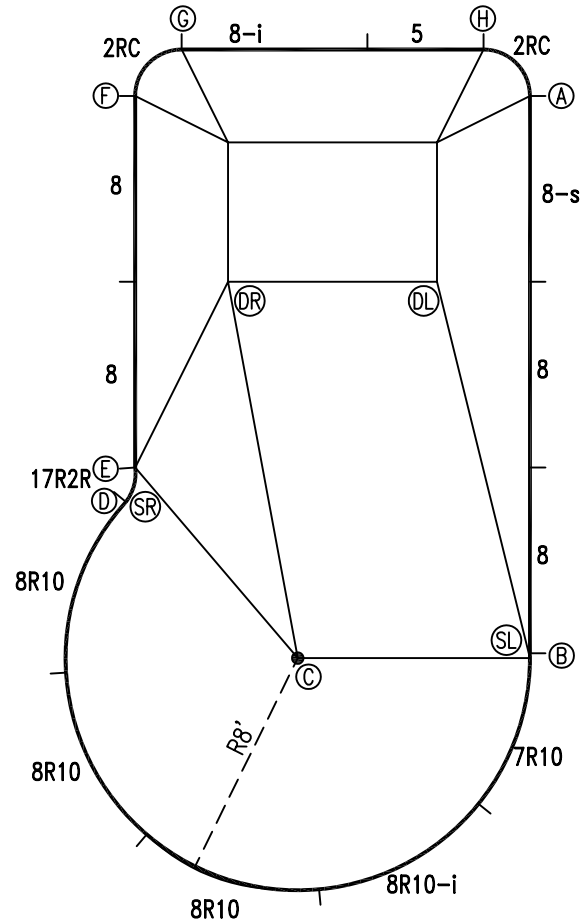
CONCRETE DECK INFO

WIDTH	AREA	NET INCREASES FOR:			
		STEPS	DIVING	SLIDE	ROLLER
2"	228	13	27	24	10
2'6"	289	17	31	20	10
3'	352	20	36	16	10

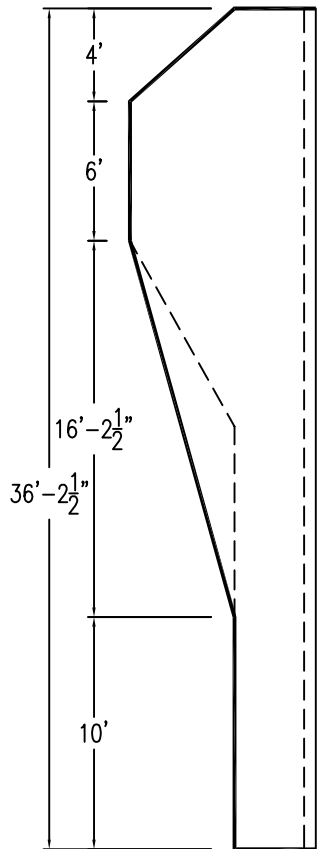
All Figures Represent "Sq Ft"

PARTS LIST

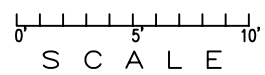
CODE	QTY	DESCRIPTION
8-s	1	8' Skim
8-i	1	8' Return
8R10-i	1	8' Return x 10' Rad
8	4	8' Plain
5	1	5' Plain
8R10	3	8' Plain x 10' Rad
7R10	1	7' Plain x 10' Rad
2RC	2	3'2 Plain x 2' Rad Cnr
17R2R	1	1'7 Plain x 2' Reverse Rad
AF	15	A-Frame
S	30	Stake
NB	90	Nuts & Bolts



6" WATER LINE -|-



*ALL DIMENSIONS ARE FINISHED



INSTALLATION DATA

From Point "A" to:-		From Point "B" to:-	
B	24'-0"	B	10'-0"
C	26'-2 1/4"	C	18'-6 7/8"
D	24'-8"	D	18'-9 1/2"
E	23'-4 1/8"	E	29'-4 7/8"
F	17'-0"	F	30'-0 1/4"
G	15'-1 5/8"	G	26'-0 7/8"
H	2'-9 7/8"	H	18'-9 1/2"
SL	23'-4 1/8"	SR	0'-2 1/2"
SR	24'-2 1/2"	DL	20'-7 3/8"
DL	15'-3 1/8"	DR	16'-5 7/8"
DR	8'-11 3/8"		

NOTICE

SWIMMING POOLS AND ACCESSORIES (INCLUDING DIVING BOARDS) ARE DANGEROUS WHEN IMPROPERLY USED OR INSTALLED. IT IS THE RESPONSIBILITY OF MUNICIPAL OFFICIALS, BUILDERS AND POOL OWNERS TO ADHERE TO ALL SAFETY RECOMMENDATIONS AND STANDARDS ISSUED BY THE POOL & HOT TUB COUNCIL, LOCAL AUTHORITIES AND EQUIPMENT MANUFACTURERS. PLEASE REFER TO DIVING BOARD MANUFACTURERS FOR CORRECT POSITIONING AND INSTALLATION OF DIVING EQUIPMENT.

AQUAPRO

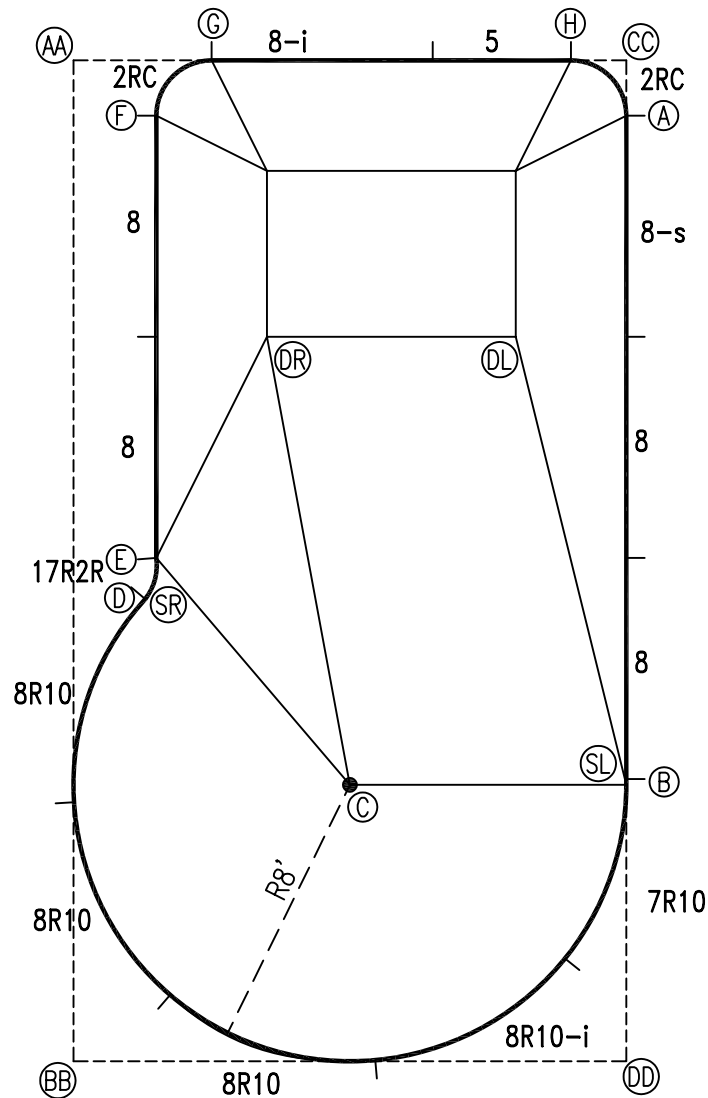
CAPRI - LEFT 20 x 36

DRAWING REFERENCE #
5-20-36-1

DRAWN BY: BC
REV. 19 JAN 2007
SHEET 1 OF 2

EXTERNAL INSTALLATION DATA

AA TO:	BB TO:	CC TO:	DD TO:
AA ---	AA 36'-2 1/2"	AA 20'-0"	AA 41'-4 3/8"
BB ---	BB ---	BB 41'-4 3/8"	BB 20'-0"
CC ---	CC ---	CC ---	CC 36'-2 1/2"
A 20'-1 1/8"	A 39'-7 1/2"	A 2'-0"	A 34'-2 1/2"
B 32'-9 5/8"	B 22'-5 3/8"	B 26'-0"	B 10'-2 1/2"
C 28'-0 5/8"	C 14'-1 3/4"	C 28'-0 5/8"	C 14'-1 5/8"
D 19'-7 7/8"	D 16'-11 1/8"	D 26'-1 1/2"	D 24'-1 5/8"
E 18'-2 7/8"	E 18'-5 1/2"	E 24'-9 1/8"	E 24'-10 7/8"
F 3'-7 1/4"	F 34'-4 1/8"	F 17'-1 3/8"	F 38'-2 3/8"
G 5'-0"	G 36'-6 5/8"	G 15'-0"	G 39'-2 1/4"
H 18'-0"	H 40'-5 1/4"	H 2'-0"	H 36'-3 1/8"
SL 18'-2 7/8"	SL 18'-5 1/2"	SL 24'-9 1/8"	SL 24'-10 7/8"
SR 32'-11 1/2"	SR 22'-4 3/8"	SR 26'-2 3/8"	SR 10'-0 1/8"
DL 12'-2 1/2"	DL 27'-1 1/2"	DL 16'-4 7/8"	DL 29'-3 1/8"
DR 18'-10 3/8"	DR 30'-8 1/2"	DR 10'-9 1/4"	DR 26'-6 1/8"



0' 5' 10'
SCALE

NOTICE

SWIMMING POOLS AND ACCESSORIES (INCLUDING DIVING BOARDS) ARE DANGEROUS WHEN IMPROPERLY USED OR INSTALLED. IT IS THE RESPONSIBILITY OF MUNICIPAL OFFICIALS, BUILDERS AND POOL OWNERS TO ADHERE TO ALL SAFETY RECOMMENDATIONS AND STANDARDS ISSUED BY THE POOL & HOT TUB COUNCIL, LOCAL AUTHORITIES AND EQUIPMENT MANUFACTURERS. PLEASE REFER TO DIVING BOARD MANUFACTURERS FOR CORRECT POSITIONING AND INSTALLATION OF DIVING EQUIPMENT.

AQUAPRO

CAPRI - LEFT 20 x 36

DRAWING REFERENCE #
5-20-36-1

DRAWN BY: BC
REV. 19 JAN 2007
SHEET 2 OF 2