

MISCELLANEOUS INFORMATION

PERIMETER:-	79'10"
SURFACE AREA:	400.1 SQ FT
VOLUME:	10400 IMP GALS 47300 L

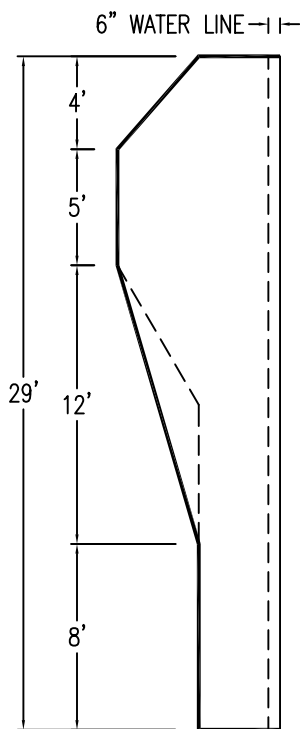
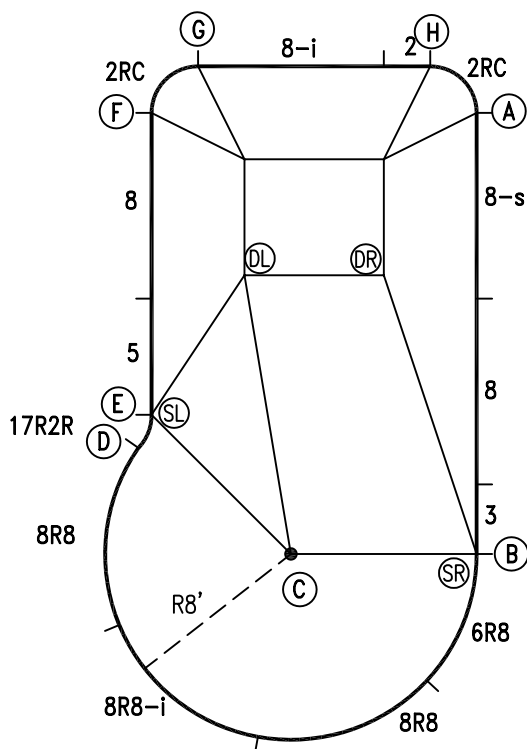
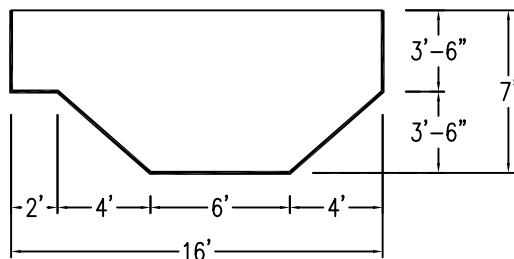
PARTS LIST

CODE	QTY	DESCRIPTION
8-s	1	8' Skim
8-i	1	8' Return
8R8-i	1	8' Return x 8' Radius
8	2	8' Plain
5	1	5' Plain
3	1	3' Plain
2	1	2' Plain
8R8	2	8' Plain x 8' Rad
6R8	1	6' Plain x 8' Rad
2RC	2	3'2 Plain x 2' Rad Cnr
17R2R	1	1'7 Plain x 2' Reverse Rad
AF	14	A-Frame
S	28	Stake
NB	84	Nuts & Bolts

CONCRETE DECK INFO

WIDTH	AREA	NET INCREASES FOR:			
		STEPS	DIVING	SLIDE	ROLLER
2"	172	13	27	24	10
2'6"	219	17	31	20	10
3'	268	20	36	16	10

All Figures Represent "Sq Ft"



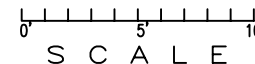
INSTALLATION DATA

From Point "A" to:-		From Point "B" to:-	
B	19'-0"	B	7'-11 7/8"
C	20'-7 3/8"	C	15'-3 1/4"
D	20'-6 1/8"	D	15'-2 3/4"
E	19'-1 1/4"	E	23'-7 1/4"
F	14'-0"	F	24'-2 1/4"
G	12'-1 7/8"	G	21'-1 1/8"
H	2'-9 7/8"	H	15'-2 3/4"
SL	19'-1 1/4"	SL	0'-0"
SR	19'-0"	SR	15'-7 1/2"
DL	12'-2 1/2"	DL	12'-7 3/4"
DR	8'-0 3/4"	DR	

NOTICE

SWIMMING POOLS AND ACCESSORIES (INCLUDING DIVING BOARDS) ARE DANGEROUS WHEN IMPROPERLY USED OR INSTALLED. IT IS THE RESPONSIBILITY OF MUNICIPAL OFFICIALS, BUILDERS AND POOL OWNERS TO ADHERE TO ALL SAFETY RECOMMENDATIONS AND STANDARDS ISSUED BY THE POOL & HOT TUB COUNCIL, LOCAL AUTHORITIES AND EQUIPMENT MANUFACTURERS. PLEASE REFER TO DIVING BOARD MANUFACTURERS FOR CORRECT POSITIONING AND INSTALLATION OF DIVING EQUIPMENT.

*ALL DIMENSIONS ARE FINISHED



AQUAPRO

CAPRI - LEFT

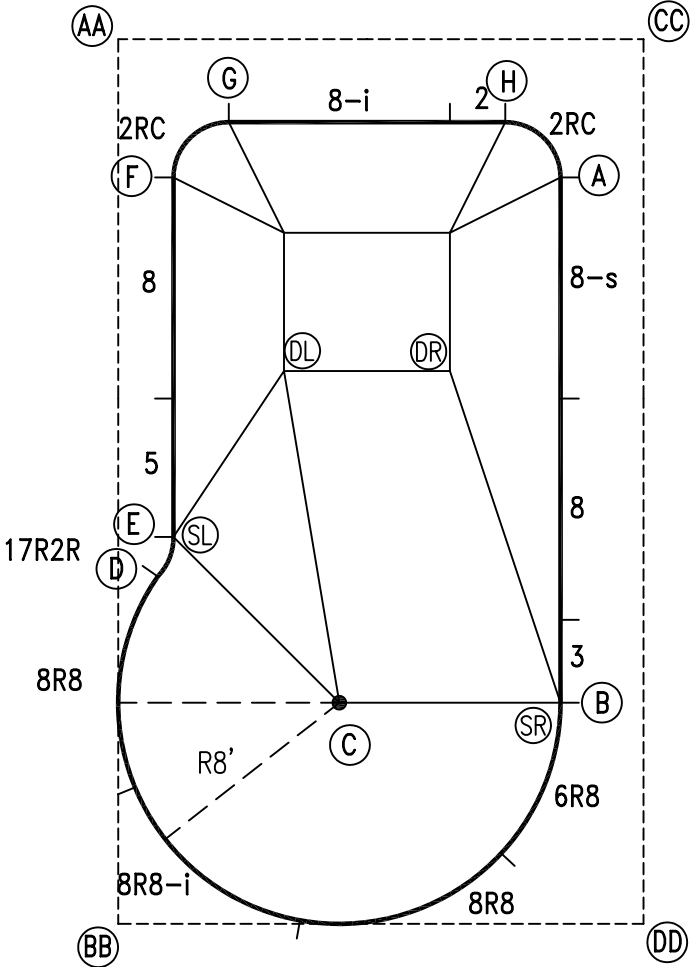
16 X 29

DRAWING REFERENCE #
5-16-29-1

DRAWN BY: JB
REV. 20 NOV 2006
SHEET 1 OF 2

EXTERNAL INSTALLATION DATA

AA TO:	BB TO:	CC TO:	DD TO:
AA ---	AA 32'-0"	AA 19'-0"	AA 37'-2 5/8"
BB ---	BB ---	BB 37'-2 5/8"	BB 18'-11 7/8"
CC ---	CC ---	CC ---	CC 32'-0"
A 16'-9 1/8"	A 31'-4 3/4"	A 5'-9 7/8"	A 27'-1 7/8"
B 28'-10 1/8"	B 17'-10 3/4"	B 24'-2 1/4"	B 8'-6 1/2"
C 25'-3 5/8"	C 11'-3 3/4"	C 26'-4 3/4"	C 13'-7 1/4"
D 19'-5 7/8"	D 12'-7 3/4"	D 26'-2 3/8"	D 21'-7 1/4"
E 18'-1 3/8"	E 14'-1 3/4"	E 24'-9 1/8"	E 22'-0 1/4"
F 5'-4 3/4"	F 27'-0 7/8"	F 17'-8 3/4"	F 31'-10 7/8"
G 5'-0"	G 29'-3 1/4"	G 15'-3 5/8"	G 32'-7 3/4"
H 14'-3 7/8"	H 32'-2 3/8"	H 5'-9 7/8"	H 29'-5 1/8"
SL 18'-1 3/8"	SL 14'-1 3/4"	SL 24'-9 1/8"	SL 22'-0 1/4"
SR 28'-10 1/8"	SR 17'-10 3/4"	SR 24'-2 1/4"	SR 8'-6 1/2"
DL 13'-4 7/8"	DL 20'-10 5/8"	DL 17'-8 1/4"	DL 23'-10 1/4"
DR 16'-11 3/4"	DR 23'-3 7/8"	DR 13'-10 3/4"	DR 21'-2 1/4"



NOTICE

SWIMMING POOLS AND ACCESSORIES (INCLUDING DIVING BOARDS) ARE DANGEROUS WHEN IMPROPERLY USED OR INSTALLED. IT IS THE RESPONSIBILITY OF MUNICIPAL OFFICIALS, BUILDERS AND POOL OWNERS TO ADHERE TO ALL SAFETY RECOMMENDATIONS AND STANDARDS ISSUED BY THE POOL & HOT TUB COUNCIL, LOCAL AUTHORITIES AND EQUIPMENT MANUFACTURERS. PLEASE REFER TO DIVING BOARD MANUFACTURERS FOR CORRECT POSITIONING AND INSTALLATION OF DIVING EQUIPMENT.

AQUAPRO

CAPRI - LEFT 16 X 29

DRAWING REFERENCE #
5-16-29-1

DRAWN BY: JB
REV. 20 NOV 2006
SHEET 2 OF 2