

MISCELLANEOUS INFORMATION

PERIMETER:-	71'10"
SURFACE AREA:	344.1 SQ FT
VOLUME:	10147 IMP GALS 46173 L

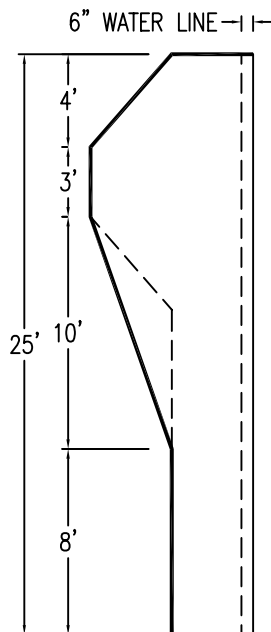
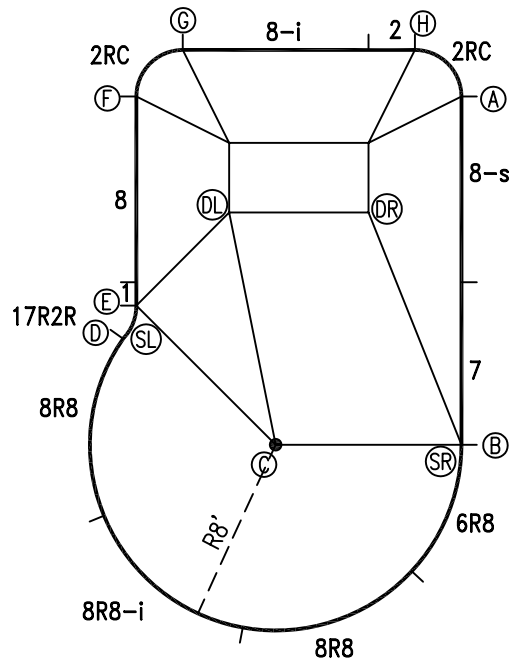
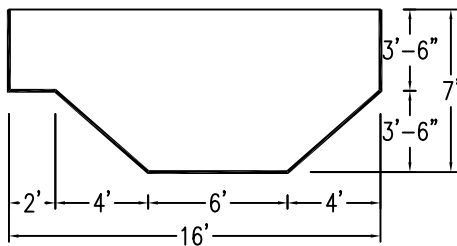
PARTS LIST

CODE	QTY	DESCRIPTION
8-s	1	8' Skim
8-i	1	8' Return
8R8I	1	8' Return x 8' Radius
8	1	8' Plain
1	1	1' Plain
7	1	7' Plain
2	1	2' Plain
8R8	2	8' Plain x 8' Rad
6R8	1	6' Plain x 8' Rad
2RC	2	3'2 Plain x 2' Rad Cnr
17R2R	1	1'7 Plain x 2' Reverse Rad
AF	13	A-Frame
S	26	Stake
NB	78	Nuts & Bolts

CONCRETE DECK INFO

WIDTH	AREA	NET INCREASES FOR:			
		STEPS	DIVING	SLIDE	ROLLER
2"	156	13	27	24	10
2'6"	199	17	31	20	10
3'	244	20	36	16	10

All Figures Represent "Sq Ft"



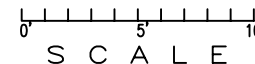
*ALL DIMENSIONS ARE FINISHED

INSTALLATION DATA

From Point "A" to:-		From Point "B" to:-	
B	15'-0"	B	8'-0"
C	17'-0"	C	8'-0"
D	17'-11"	D	15'-3 1/4"
E	16'-7 3/4"	E	15'-2 3/4"
F	14'-0"	F	20'-6 1/4"
G	12'-1 7/8"	G	20'-9 3/4"
H	2'-9 7/8"	H	17'-1 3/8"
SL	16'-7 3/4"	SL	15'-2 3/4"
SR	15'-0"	SR	0'-0"
DL	11'-2 1/8"	DL	14'-1 3/4"
DR	6'-8 3/8"	DR	10'-9 1/4"

NOTICE

SWIMMING POOLS AND ACCESSORIES (INCLUDING DIVING BOARDS) ARE DANGEROUS WHEN IMPROPERLY USED OR INSTALLED. IT IS THE RESPONSIBILITY OF MUNICIPAL OFFICIALS, BUILDERS AND POOL OWNERS TO ADHERE TO ALL SAFETY RECOMMENDATIONS AND STANDARDS ISSUED BY THE POOL & HOT TUB COUNCIL, LOCAL AUTHORITIES AND EQUIPMENT MANUFACTURERS. PLEASE REFER TO DIVING BOARD MANUFACTURERS FOR CORRECT POSITIONING AND INSTALLATION OF DIVING EQUIPMENT.



AQUAPRO

CAPRI - LEFT

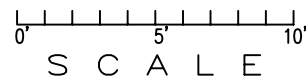
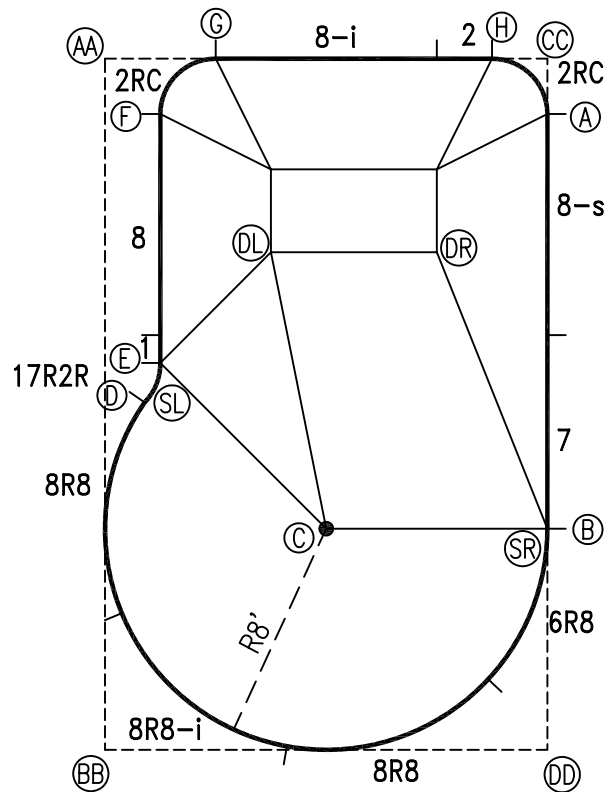
16 X 25

DRAWING REFERENCE #
5-16-25-1

DRAWN BY: BC
REV. 18 JAN 2007
SHEET 1 OF 2

EXTERNAL INSTALLATION DATA

AA TO:	BB TO:	CC TO:	DD TO:
AA ---	AA 25'-0"	AA 16'-0"	AA 29'-8 1/8"
BB ---	BB ---	BB 29'-8 1/8"	BB 16'-0"
CC ---	CC ---	CC ---	CC 25'-0"
A 16'-1 1/2"	A 28'-0 1/4"	A 2'-0"	A 23'-0"
B 23'-4 1/8"	B 17'-10 5/8"	B 17'-0"	B 8'-0"
C 18'-9 1/2"	C 11'-3 3/4"	C 18'-9 1/2"	C 11'-3 3/4"
D 12'-6 1/8"	D 12'-7 3/4"	D 19'-1 7/8"	D 19'-2 7/8"
E 11'-2 1/4"	E 14'-1 5/8"	E 17'-9 3/4"	E 19'-9 1/2"
F 2'-9 7/8"	F 23'-1"	F 14'-1 3/4"	F 26'-11 1/8"
G 4'-0"	G 25'-3 7/8"	G 12'-0"	G 27'-8 3/4"
H 14'-0"	H 28'-7 7/8"	H 2'-0"	H 25'-0 7/8"
SL 11'-2 1/4"	SL 14'-1 5/8"	SL 17'-9 3/4"	SL 19'-9 1/2"
SR 23'-4 1/8"	SR 17'-10 5/8"	SR 17'-0"	SR 8'-0"
DL 9'-2 5/8"	DL 18'-11 5/8"	DL 12'-2 1/2"	DL 20'-7 1/8"
DR 13'-10 3/4"	DR 21'-7 5/8"	DR 8'-0 3/4"	DR 18'-5 1/4"



NOTICE

SWIMMING POOLS AND ACCESSORIES (INCLUDING DIVING BOARDS) ARE DANGEROUS WHEN IMPROPERLY USED OR INSTALLED. IT IS THE RESPONSIBILITY OF MUNICIPAL OFFICIALS, BUILDERS AND POOL OWNERS TO ADHERE TO ALL SAFETY RECOMMENDATIONS AND STANDARDS ISSUED BY THE POOL & HOT TUB COUNCIL, LOCAL AUTHORITIES AND EQUIPMENT MANUFACTURERS. PLEASE REFER TO DIVING BOARD MANUFACTURERS FOR CORRECT POSITIONING AND INSTALLATION OF DIVING EQUIPMENT.

AQUAPRO

CAPRI - LEFT 16 X 25

DRAWING REFERENCE #
5-16-25-1

DRAWN BY: BC
REV. 18 JAN 2007
SHEET 2 OF 2