

MISCELLANEOUS INFORMATION

PERIMETER:-	68' 10-1/2"
SURFACE AREA:	298.8 SQ FT
VOLUME:	7603 IMP GALS 34596L

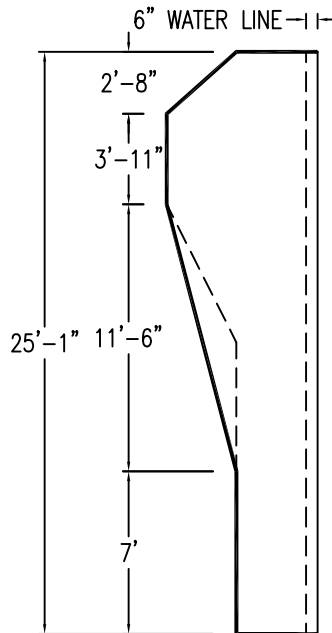
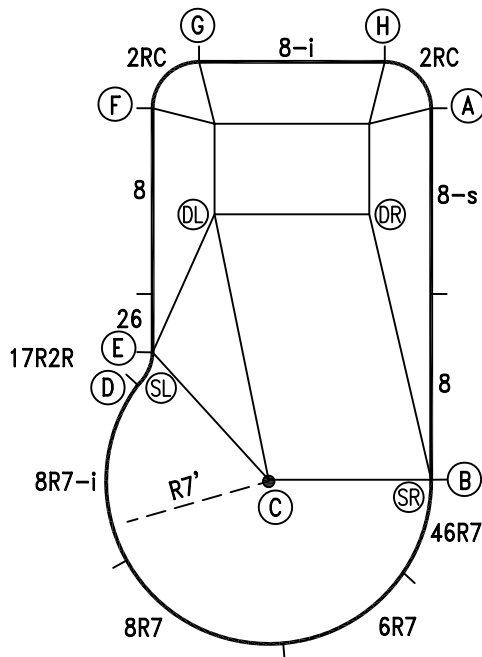
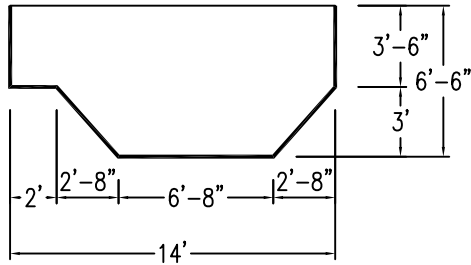
PARTS LIST

CODE	QTY	DESCRIPTION
8-s	1	8' Skim
8-i	1	8' Return
8R7-i	1	8' Return x 7' Radius
8	2	8' Plain
26	1	2'6" Plain
8R7	1	8' Plain x 7' Rad
6R7	1	6' Plain x 7' Rad
46R7	1	4'6" Plain x 7' Rad
2RC	2	3'2 Plain x 2' Rad Cnr
17R2R	1	1'7 Plain x 2' Reverse Rad
AF	12	A-Frame
S	24	Stake
NB	72	Nuts & Bolts

CONCRETE DECK INFO

WIDTH	AREA	NET INCREASES FOR:			
		STEPS	DIVING	SLIDE	ROLLER
2'	150	13	27	24	10
2'6"	192	17	31	20	10
3'	235	20	36	16	10

All Figures Represent "Sq Ft"



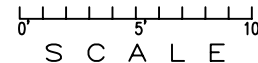
*ALL DIMENSIONS ARE FINISHED

INSTALLATION DATA

From Point "A" to:-		From Point "B" to:-	
B	16'-0"	B	6'-11 7/8"
C	17'-6 1/4"	C	13'-3 3/8"
D	17'-4 3/8"	D	13'-2 3/8"
E	15'-11 3/8"	E	20'-0"
F	12'-0"	F	20'-7 1/8"
G	10'-2 3/8"	G	18'-1 3/8"
H	2'-9 7/8"	H	13'-2 3/8"
SL	15'-11 3/8"	SL	0'-0"
SR	16'-0"	SR	14'-9 1/8"
DL	10'-4 3/4"	DL	11'-8 7/8"
DR	5'-3 1/2"	DR	

NOTICE

SWIMMING POOLS AND ACCESSORIES (INCLUDING DIVING BOARDS) ARE DANGEROUS WHEN IMPROPERLY USED OR INSTALLED. IT IS THE RESPONSIBILITY OF MUNICIPAL OFFICIALS, BUILDERS AND POOL OWNERS TO ADHERE TO ALL SAFETY RECOMMENDATIONS AND STANDARDS ISSUED BY THE POOL & HOT TUB COUNCIL, LOCAL AUTHORITIES AND EQUIPMENT MANUFACTURERS. PLEASE REFER TO DIVING BOARD MANUFACTURERS FOR CORRECT POSITIONING AND INSTALLATION OF DIVING EQUIPMENT.



AQUAPRO

CAPRI - LEFT

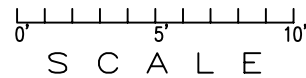
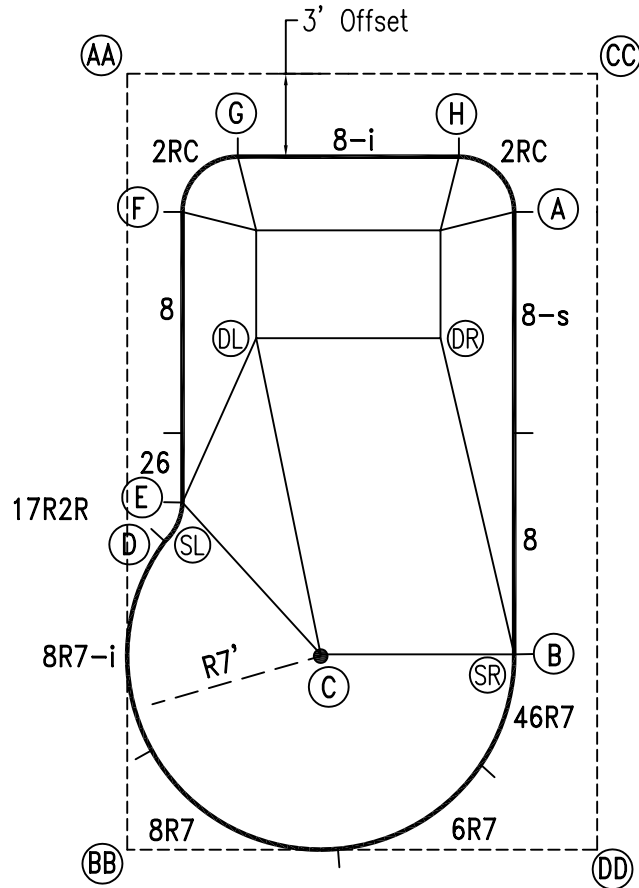
14 X 25

DRAWING REFERENCE #
5-14-25-1

DRAWN BY: GB
REV. 06 FEB 2008
SHEET 1 OF 2

EXTERNAL INSTALLATION DATA

AA TO:		BB TO:		CC TO:		DD TO:	
AA	--	AA	28'-0 3/4"	AA	16'-11 7/8"	AA	32'-9 3/4"
BB	--	BB	--	BB	32'-9 3/4"	BB	16'-11 7/8"
CC	--	CC	--	CC	--	CC	28'-0 3/4"
A	14'-10 3/8"	A	26'-11 3/4"	A	5'-9 7/8"	A	23'-3 1/8"
B	25'-2 7/8"	B	15'-8 1/8"	B	21'-2 1/2"	B	7'-8 1/8"
C	22'-2 3/8"	C	9'-10 3/4"	C	23'-3 7/8"	C	12'-2 1/2"
D	16'-11 3/4"	D	11'-2 3/4"	D	23'-0 3/8"	D	19'-2 1/2"
E	15'-7 3/4"	E	12'-8 5/8"	E	21'-6 7/8"	E	19'-6 3/4"
F	5'-4 3/4"	F	23'-1 7/8"	F	15'-9 3/4"	F	27'-6 1/8"
G	4'-11 7/8"	G	25'-4 5/8"	G	13'-4 1/8"	G	28'-2 7/8"
H	12'-4 3/8"	H	27'-9 1/2"	H	5'-9 7/8"	H	25'-6 3/4"
J	15'-7 3/4"	J	12'-8 5/8"	J	21'-6 7/8"	J	19'-6 3/4"
K	25'-2 7/8"	K	15'-8 1/8"	K	21'-2 1/2"	K	7'-8 1/8"
L	10'-7 3/4"	L	19'-0 7/8"	L	15'-7 1/4"	L	22'-2 3/4"
M	14'-9 7/8"	M	21'-8 3/8"	M	11'-1 3/8"	M	19'-4 1/8"
SL	15'-7 3/4"	SL	12'-8 5/8"	SL	21'-6 7/8"	SL	19'-6 3/4"
SR	25'-2 7/8"	SR	15'-8 1/8"	SR	21'-2 1/2"	SR	7'-8 1/8"
DL	10'-7 3/4"	DL	19'-0 7/8"	DL	15'-7 1/4"	DL	22'-2 3/4"
DR	14'-9 7/8"	DR	21'-8 3/8"	DR	11'-1 3/8"	DR	19'-4 1/8"



NOTICE

SWIMMING POOLS AND ACCESSORIES (INCLUDING DIVING BOARDS) ARE DANGEROUS WHEN IMPROPERLY USED OR INSTALLED. IT IS THE RESPONSIBILITY OF MUNICIPAL OFFICIALS, BUILDERS AND POOL OWNERS TO ADHERE TO ALL SAFETY RECOMMENDATIONS AND STANDARDS ISSUED BY THE POOL & HOT TUB COUNCIL, LOCAL AUTHORITIES AND EQUIPMENT MANUFACTURERS. PLEASE REFER TO DIVING BOARD MANUFACTURERS FOR CORRECT POSITIONING AND INSTALLATION OF DIVING EQUIPMENT.

AQUAPRO

CAPRI - LEFT

14 X 25

DRAWING REFERENCE #

5-14-25-1

DRAWN BY: GB

REV. 06 FEB 2008

SHEET 2 OF 2