

MISCELLANEOUS INFORMATION

PERIMETER:-	63'10-1/2"
SURFACE AREA:	242.3 SQ FT
VOLUME:	6212 IMP GALS 28266 L

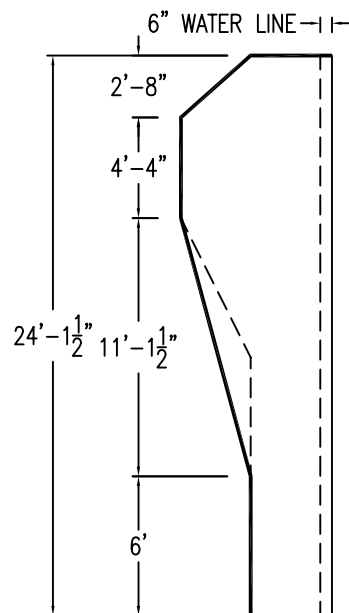
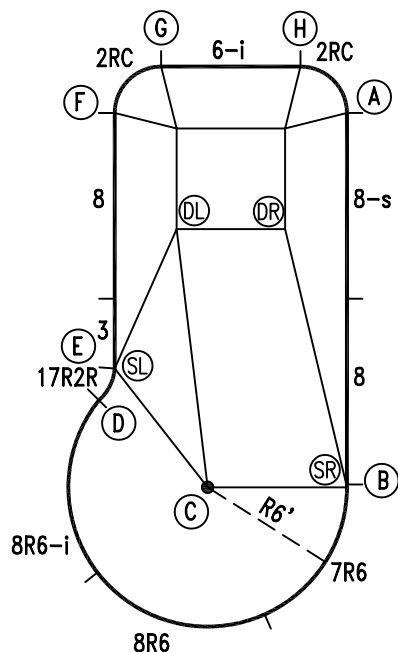
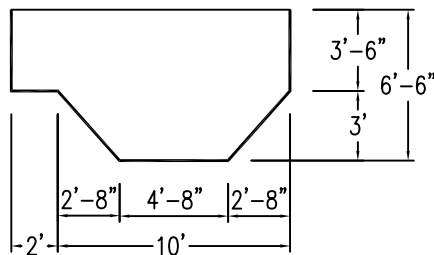
PARTS LIST

CODE	QTY	DESCRIPTION
8-s	1	8' Skim
8R6-i	1	8' Return x 6' Rad
6-i	1	6' Return
8	2	8' Plain
3	1	3' Plain
8R6	1	8' Plain x 6' Rad
7R6	1	7' Plain x 6' Rad
2RC	2	3'2 Plain x 2' Rad Cnr
17R2R	1	1'7 Plain x 2' Reverse Rad
AF	11	A-Frame
S	22	Stake
NB	66	Nuts & Bolts

CONCRETE DECK INFO

WIDTH	AREA	NET INCREASES FOR:			
		STEPS	DIVING	SLIDE	ROLLER
2"	139	13	27	24	10
2'6"	179	17	31	20	10
3"	219	20	36	16	10

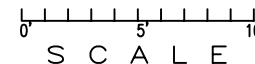
All Figures Represent "Sq Ft"



INSTALLATION DATA

From Point "A" to:-		From Point "B" to:-	
B	15'-11 7/8"	B	5'-11 7/8"
C	17'-2 3/8"	C	11'-3 3/8"
D	16'-4 1/8"	D	11'-2 1/8"
E	14'-10 3/8"	E	18'-10 3/8"
F	9'-11 7/8"	F	19'-8 3/8"
G	8'-2 7/8"	G	18'-1 3/8"
H	2'-9 7/8"	H	11'-2 1/8"
SL	14'-10 3/8"	SL	0'-1 1/2"
SR	16'-1 1/2"	SR	13'-2 3/4"
DL	8'-10 1/2"	DL	11'-3 7/8"
DR	5'-7 7/8"	DR	

\*ALL DIMENSIONS ARE FINISHED



NOTICE

SWIMMING POOLS AND ACCESSORIES (INCLUDING DIVING BOARDS) ARE DANGEROUS WHEN IMPROPERLY USED OR INSTALLED. IT IS THE RESPONSIBILITY OF MUNICIPAL OFFICIALS, BUILDERS AND POOL OWNERS TO ADHERE TO ALL SAFETY RECOMMENDATIONS AND STANDARDS ISSUED BY THE POOL & HOT TUB COUNCIL, LOCAL AUTHORITIES AND EQUIPMENT MANUFACTURERS. PLEASE REFER TO DIVING BOARD MANUFACTURERS FOR CORRECT POSITIONING AND INSTALLATION OF DIVING EQUIPMENT.

AQUAPRO

CAPRI - LEFT

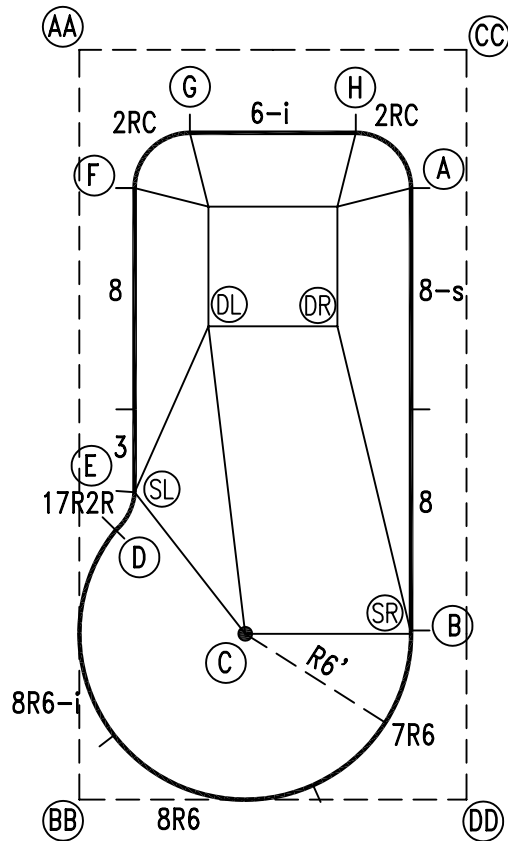
12 x 24

DRAWING REFERENCE #  
5-12-24-1

DRAWN BY: JB  
REV. 17 NOV 2006  
SHEET 1 OF 2

EXTERNAL INSTALLATION DATA

AA TO:	BB TO:	CC TO:	DD TO:
AA ---	AA 27'-1 1/2"	AA 14'-0"	AA 30'-6 1/4"
BB ---	BB ---	BB 30'-6 1/4"	BB 14'-0"
CC ---	CC ---	CC ---	CC 27'-1 1/2"
A 12'-11 7/8"	A 25'-1 7/8"	A 5'-4 3/4"	A 22'-2 1/2"
B 24'-2 1/4"	B 13'-5 3/4"	B 21'-1 1/8"	B 6'-5 1/4"
C 21'-11 1/2"	C 8'-5 7/8"	C 22'-7"	C 10'-0"
D 17'-5"	D 9'-10"	D 21'-6 1/8"	D 15'-11 7/8"
E 16'-1 1/2"	E 11'-3 5/8"	E 20'-0"	E 16'-4 3/8"
F 5'-4 3/4"	F 22'-2 1/2"	F 13'-0"	F 25'-1 7/8"
G 4'-11 7/8"	G 24'-5 3/8"	G 10'-5 1/4"	G 26'-1 3/8"
H 10'-5 1/4"	H 26'-1 3/8"	H 5'-0"	H 24'-5 3/8"
SL 16'-1 1/2"	SL 11'-3 5/8"	SL 20'-0"	SL 16'-4 3/8"
SR 24'-3 1/2"	SR 13'-4 7/8"	SR 21'-2 5/8"	SR 6'-3 7/8"
DL 11'-0 3/8"	DL 17'-8 7/8"	DL 13'-8 1/8"	DL 19'-5 7/8"
DR 13'-8 1/8"	DR 19'-5 7/8"	DR 11'-0 3/8"	DR 17'-8 7/8"



NOTICE

SWIMMING POOLS AND ACCESSORIES (INCLUDING DIVING BOARDS) ARE DANGEROUS WHEN IMPROPERLY USED OR INSTALLED. IT IS THE RESPONSIBILITY OF MUNICIPAL OFFICIALS, BUILDERS AND POOL OWNERS TO ADHERE TO ALL SAFETY RECOMMENDATIONS AND STANDARDS ISSUED BY THE POOL & HOT TUB COUNCIL, LOCAL AUTHORITIES AND EQUIPMENT MANUFACTURERS. PLEASE REFER TO DIVING BOARD MANUFACTURERS FOR CORRECT POSITIONING AND INSTALLATION OF DIVING EQUIPMENT.

AQUAPRO

CAPRI - LEFT 12 x 24

DRAWING REFERENCE #  
5-12-24-1

DRAWN BY: JB  
REV. 17 NOV 2006  
SHEET 2 OF 2