

**MISCELLANEOUS INFORMATION**

PERIMETER:-	106'5-1/2"
SURFACE AREA:	621.1 SQ FT
VOLUME:	16775 IMP GALS 76327 L

**PARTS LIST**

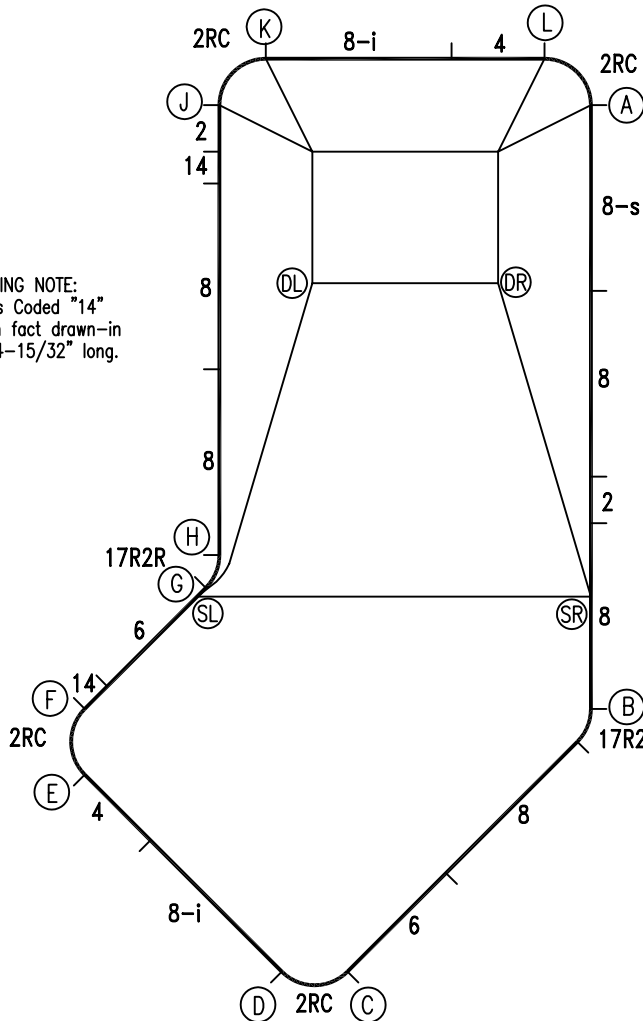
CODE	QTY	DESCRIPTION
8-s	1	8' Skimmer
8-i	2	8' Return
8	5	8' Plain
6	2	6' Plain
4	2	4' Plain
2	2	2' Plain
14	2	1'4-15/32" Plain
2RC	4	3'2" Plain x 2' Radius
17R2R	1	1'7" Plain x 2' Reverse Rad
17R2	1	1'7" Plain x 2' Radius
AF	22	A-Frame
S	44	Stake
NB	132	Nuts & Bolts

**CONCRETE DECK INFO**

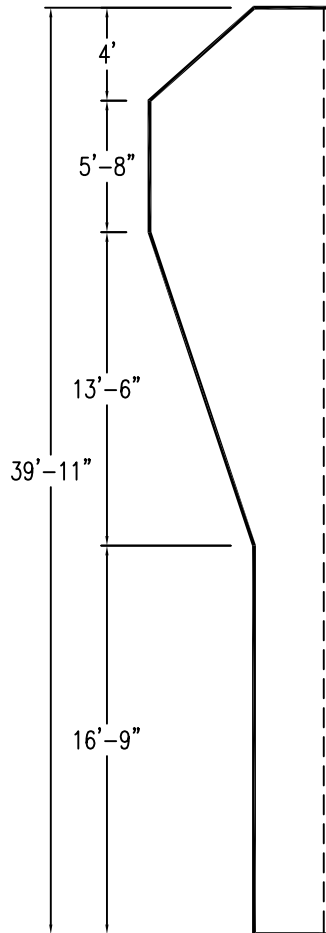
WIDTH	AREA	NET INCREASES FOR:			
		STEPS	DIVING	SLIDE	ROLLER
2"	226	13	27	24	10
2'6"	286	17	31	20	10
3'	348	20	36	16	10

All Figures Represent "Sq Ft"

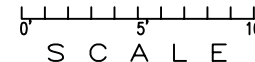
DRAFTING NOTE:  
Panels Coded "14"  
are in fact drawn-in  
at 1'4-15/32" long.



6" WATER LINE - 11"



\*ALL DIMENSIONS ARE FINISHED



**INSTALLATION DATA**

From Point "A" to:-		From Point "B" to:-	
B	26'-0"	B	15'-5 1/8"
C	38'-9 1/8"	C	17'-5 5/8"
D	39'-7 3/8"	D	21'-11 3/4"
E	36'-1 3/4"	E	21'-9 5/8"
F	33'-11 1/8"	F	17'-4 5/8"
G	26'-7 1/8"	G	17'-3 7/8"
H	25'-1 1/2"	H	30'-6 3/8"
J	16'-0"	J	31'-3 5/8"
K	14'-1 3/4"	K	28'-0 7/8"
L	2'-9 7/8"	L	17'-7 3/4"
SL	27'-1 1/2"	SL	4'-10"
SR	21'-1 7/8"	SR	21'-10 7/8"
DL	14'-2 7/8"	DL	18'-9 1/8"
DR	8'-7 3/4"	DR	

**NOTICE**

SWIMMING POOLS AND ACCESSORIES (INCLUDING DIVING BOARDS) ARE DANGEROUS WHEN IMPROPERLY USED OR INSTALLED. IT IS THE RESPONSIBILITY OF MUNICIPAL OFFICIALS, BUILDERS AND POOL OWNERS TO ADHERE TO ALL SAFETY RECOMMENDATIONS AND STANDARDS ISSUED BY THE POOL & HOT TUB COUNCIL, LOCAL AUTHORITIES AND EQUIPMENT MANUFACTURERS. PLEASE REFER TO DIVING BOARD MANUFACTURERS FOR CORRECT POSITIONING AND INSTALLATION OF DIVING EQUIPMENT.

**AQUAPRO**

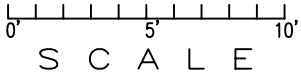
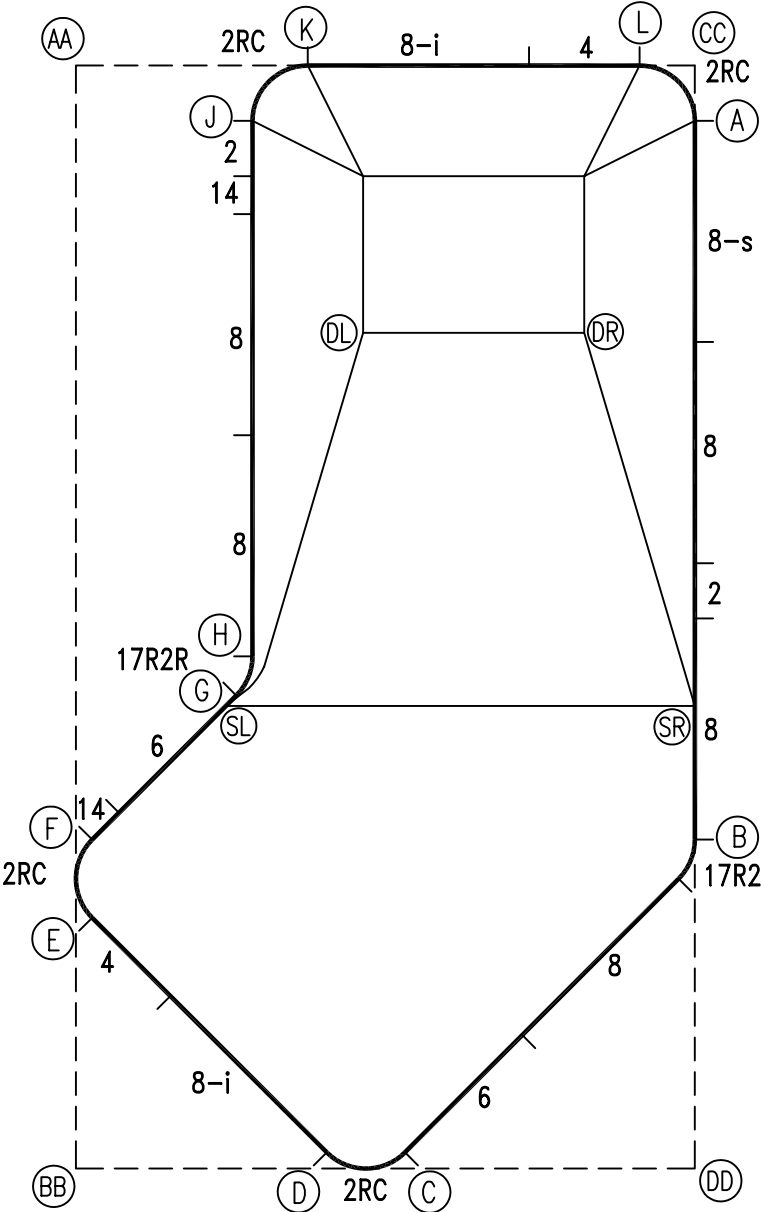
LAZY-L - LEFT 16 x 40

DRAWING REFERENCE #  
18-16-40-1

DRAWN BY: JB  
REV. 6 DEC 2006  
SHEET 1 OF 2

EXTERNAL INSTALLATION DATA

AA TO:	BB TO:	CC TO:	DD TO:
AA	AA	AA	AA
BB	BB	BB	BB
CC	CC	CC	CC
A	A	A	A
B	B	B	B
C	C	C	C
D	D	D	D
E	E	E	E
F	F	F	F
G	G	G	G
H	H	H	H
J	J	J	J
K	K	K	K
L	L	L	L
SL	SL	SL	SL
SR	SR	SR	SR
DL	DL	DL	DL
DR	DR	DR	DR



NOTICE

SWIMMING POOLS AND ACCESSORIES (INCLUDING DIVING BOARDS) ARE DANGEROUS WHEN IMPROPERLY USED OR INSTALLED. IT IS THE RESPONSIBILITY OF MUNICIPAL OFFICIALS, BUILDERS AND POOL OWNERS TO ADHERE TO ALL SAFETY RECOMMENDATIONS AND STANDARDS ISSUED BY THE POOL & HOT TUB COUNCIL, LOCAL AUTHORITIES AND EQUIPMENT MANUFACTURERS. PLEASE REFER TO DIVING BOARD MANUFACTURERS FOR CORRECT POSITIONING AND INSTALLATION OF DIVING EQUIPMENT.

AQUAPRO

LAZY-L - LEFT 16 x 40

DRAWING REFERENCE #  
18-16-40-1

DRAWN BY: JB  
REV. 6 DEC 2006  
SHEET 2 OF 2