

MISCELLANEOUS INFORMATION

PERIMETER:-	98'8-1/2"
SURFACE AREA:	559.8 SQ FT
VOLUME:	13881 IMP GALS 63103 L

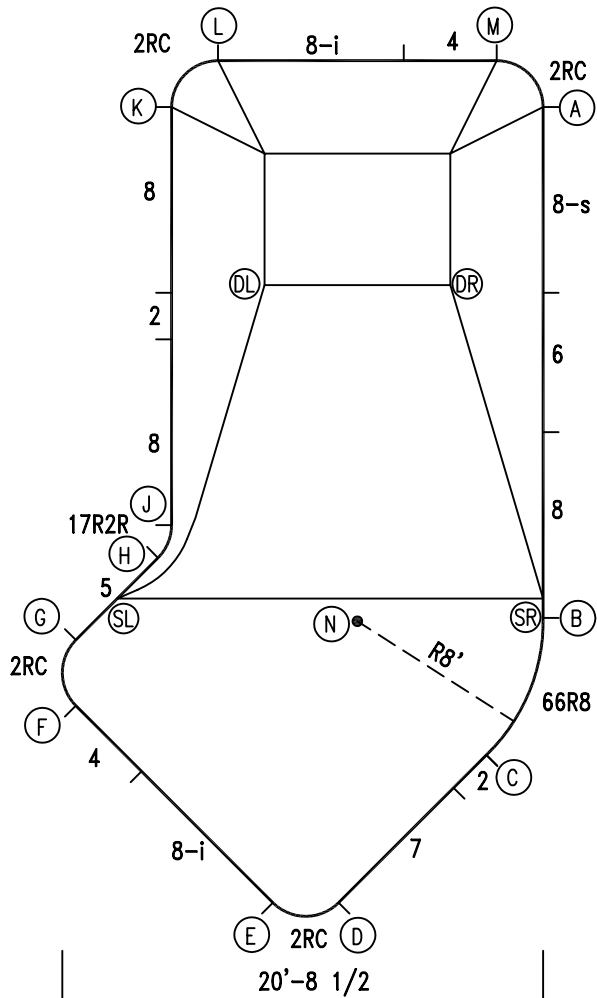
CONCRETE DECK INFO

WIDTH	AREA	NET INCREASES FOR:			
		STEPS	DIVING	SLIDE	ROLLER
2'	211	13	27	24	10
2'6"	268	17	31	20	10
3'	326	20	36	16	10

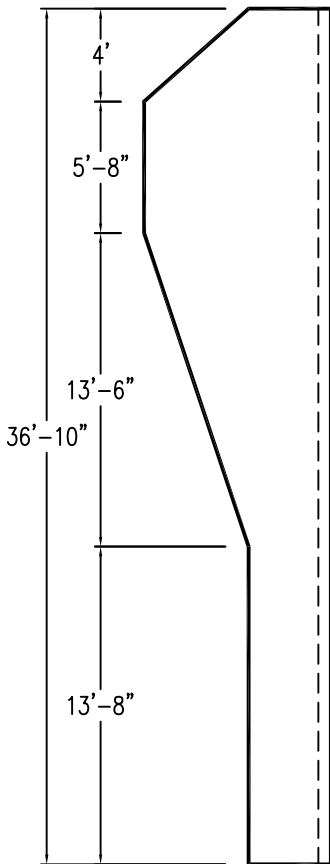
All Figures Represent "Sq Ft"

PARTS LIST

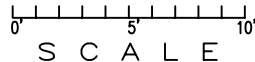
CODE	QTY	DESCRIPTION
8-s	1	8' Skimmer
8-i	2	8' Return
8	3	8' Plain
7	1	7' Plain
6	1	6' Plain
5	1	5' Plain
4	2	4' Plain
2	2	2' Plain
66R8	1	6'6" Plain x 8' Radius
17R2R	1	1'7" Plain x 2' Reverse Rad
2RC	4	3'2" Plain x 2' Radius
AF	19	A-Frame
S	38	Stake
NB	114	Nuts & Bolts



6" WATER LINE - - -



*ALL DIMENSIONS ARE FINISHED



INSTALLATION DATA

From Point "A" to:-		From Point "B" to:-	
B	22'-0"	B	6'-4 5/8"
C	28'-0 1/8"	C	15'-1 1/8"
D	35'-4 1/2"	D	16'-10 7/8"
E	36'-2 1/4"	E	20'-5 5/8"
F	32'-8 3/8"	F	20'-1 3/4"
G	30'-6 1/4"	G	16'-9 3/8"
H	25'-6 3/8"	H	16'-5 7/8"
J	24'-0 7/8"	J	27'-2 3/8"
K	16'-0"	K	27'-9 3/8"
L	14'-1 3/4"	L	24'-0 7/8"
M	2'-9 7/8"	M	8'-0"
N	23'-6 1/2"	N	18'-4 1/4"
SL	28'-0 1/8"	SL	0'-10"
SR	21'-1 7/8"	SR	18'-8 3/8"
DL	14'-2 7/8"	DL	14'-10 5/8"
DR	8'-7 3/4"		

NOTICE

SWIMMING POOLS AND ACCESSORIES (INCLUDING DIVING BOARDS) ARE DANGEROUS WHEN IMPROPERLY USED OR INSTALLED. IT IS THE RESPONSIBILITY OF MUNICIPAL OFFICIALS, BUILDERS AND POOL OWNERS TO ADHERE TO ALL SAFETY RECOMMENDATIONS AND STANDARDS ISSUED BY THE POOL & HOT TUB COUNCIL, LOCAL AUTHORITIES AND EQUIPMENT MANUFACTURERS. PLEASE REFER TO DIVING BOARD MANUFACTURERS FOR CORRECT POSITIONING AND INSTALLATION OF DIVING EQUIPMENT.

AQUAPRO

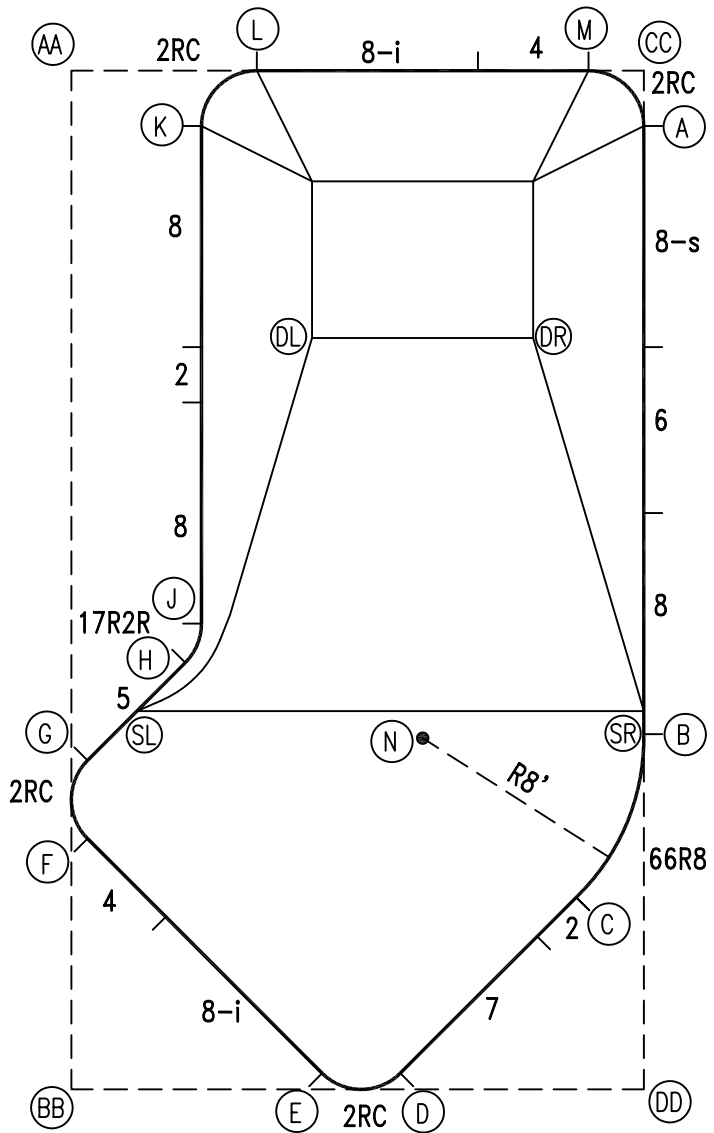
LAZY-L LEFT 16 x 37

DRAWING REFERENCE #
18-16-37-1

DRAWN BY: JB
REV. 7 DEC 2006
SHEET 1 OF 2

EXTERNAL INSTALLATION DATA

AA TO:	BB TO:	CC TO:	DD TO:
AA ---	AA 36'-10 1/4"	AA 20'-8 1/2"	AA 42'-3 1/4"
BB ---	BB ---	BB 42'-3 1/4"	BB 20'-8 1/2"
CC ---	CC ---	CC ---	CC 36'-10 1/4"
A 20'-9 5/8"	A 40'-6 1/2"	A 2'-0"	A 34'-10 1/4"
B 31'-8 3/8"	B 24'-4 1/2"	B 24'-0"	B 12'-10 1/4"
C 35'-0 3/8"	C 19'-6 1/2"	C 30'-0"	C 7'-4 3/8"
D 38'-1 7/8"	D 11'-10 7/8"	D 37'-3 7/8"	D 8'-9 7/8"
E 37'-4 5/8"	E 9'-1 1/8"	E 38'-1"	E 11'-7 3/4"
F 27'-9 3/8"	F 9'-1 1/8"	F 34'-3 5/8"	F 22'-0 7/8"
G 24'-11 1/2"	G 11'-10 7/8"	G 32'-0 5/8"	G 23'-4 1/2"
H 21'-9 5/8"	H 15'-11 3/4"	H 27'-1"	H 22'-7 7/8"
J 20'-6 1/2"	J 17'-5 7/8"	J 25'-7 3/8"	J 23'-2 7/8"
K 5'-1 3/8"	K 35'-1 7/8"	K 16'-1 1/2"	K 38'-4 1/8"
L 6'-8 1/2"	L 37'-5 1/2"	L 14'-0"	L 39'-5"
M 18'-8 1/2"	M 41'-3 7/8"	M 2'-0"	M 36'-10 7/8"
N 27'-3 3/8"	N 17'-11 5/8"	N 25'-5 1/4"	N 15'-0 1/8"
SL 23'-3 1/2"	SL 13'-10 5/8"	SL 29'-6 1/2"	SL 22'-10 1/2"
SR 31'-0 7/8"	SR 24'-9 7/8"	SR 23'-1 7/8"	SR 13'-8 1/4"
DL 13'-0 1/8"	DL 28'-6 1/2"	DL 15'-4 7/8"	DL 29'-8 1/2"
DR 19'-3 5/8"	DR 31'-10 7/8"	DR 10'-5 1/2"	DR 27'-5 3/4"



0' 5' 10'
SCALE

NOTICE

SWIMMING POOLS AND ACCESSORIES (INCLUDING DIVING BOARDS) ARE DANGEROUS WHEN IMPROPERLY USED OR INSTALLED. IT IS THE RESPONSIBILITY OF MUNICIPAL OFFICIALS, BUILDERS AND POOL OWNERS TO ADHERE TO ALL SAFETY RECOMMENDATIONS AND STANDARDS ISSUED BY THE POOL & HOT TUB COUNCIL, LOCAL AUTHORITIES AND EQUIPMENT MANUFACTURERS. PLEASE REFER TO DIVING BOARD MANUFACTURERS FOR CORRECT POSITIONING AND INSTALLATION OF DIVING EQUIPMENT.

AQUAPRO

LAZY-L LEFT 16 x 37

DRAWING REFERENCE #
18-16-37-1

DRAWN BY: JB
REV. 7 DEC 2006
SHEET 2 OF 2