

### MISCELLANEOUS INFORMATION

PERIMETER:-	92'5-1/2
SURFACE AREA:	509 SQ FT
VOLUME:	12720 IMP GALS 57875 L

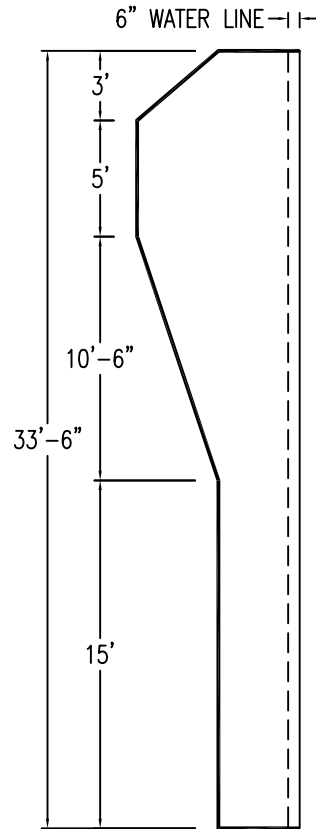
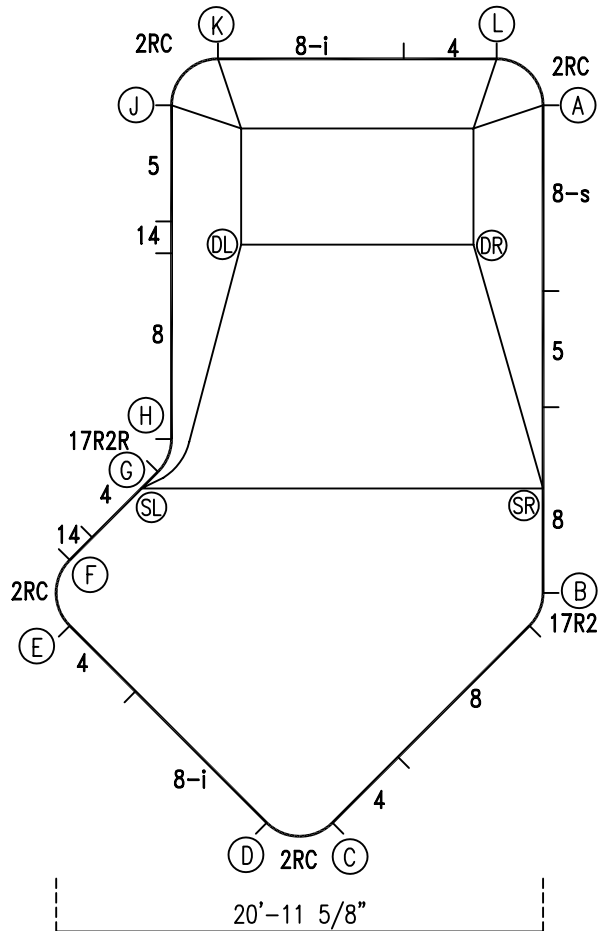
### CONCRETE DECK INFO

WIDTH	AREA	NET INCREASES FOR:			
		STEPS	DIVING	SLIDE	ROLLER
2'	198	13	27	24	10
2'6"	251	17	31	20	10
3'	306	20	36	16	10

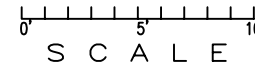
All Figures Represent "Sq Ft"

### PARTS LIST

CODE	QTY	DESCRIPTION
8-s	1	8' Skimmer
8-i	2	8' Return
8	3	8' Plain
5	2	5' Plain
4	4	4' Plain
14	2	1'4" Plain
2RC	4	3'2" Plain x 2' Radius
17R2R	1	1'7" Plain x 2' Reverse Rad
17R2	1	1'7" Plain x 2' Radius
AF	20	A-Frame
S	40	Stake
NB	120	Nuts & Bolts



\*ALL DIMENSIONS ARE FINISHED



### INSTALLATION DATA

From Point "A" to:-		From Point "B" to:-	
B	21'-0"	B	13'-5 1/8"
C	32'-2 1/2"	C	15'-5 3/4"
D	33'-1 3/8"	D	20'-5 1/4"
E	30'-3 5/8"	E	20'-5 1/4"
F	28'-3 1/4"	F	17'-4 5/8"
G	22'-10 3/4"	G	17'-3 7/8"
H	21'-6 1/8"	H	26'-4 3/4"
J	16'-0"	J	26'-11 1/8"
K	14'-1 3/4"	K	23'-1"
L	2'-9 7/8"	L	17'-10 1/2"
SL	23'-10 7/8"	SR	4'-6"
SR	16'-6"	DL	19'-10 1/4"
DL	14'-3 7/8"	DR	15'-3 5/8"
DR	6'-8 1/2"		

### NOTICE

SWIMMING POOLS AND ACCESSORIES (INCLUDING DIVING BOARDS) ARE DANGEROUS WHEN IMPROPERLY USED OR INSTALLED. IT IS THE RESPONSIBILITY OF MUNICIPAL OFFICIALS, BUILDERS AND POOL OWNERS TO ADHERE TO ALL SAFETY RECOMMENDATIONS AND STANDARDS ISSUED BY THE POOL & HOT TUB COUNCIL, LOCAL AUTHORITIES AND EQUIPMENT MANUFACTURERS. PLEASE REFER TO DIVING BOARD MANUFACTURERS FOR CORRECT POSITIONING AND INSTALLATION OF DIVING EQUIPMENT.

**AQUAPRO**

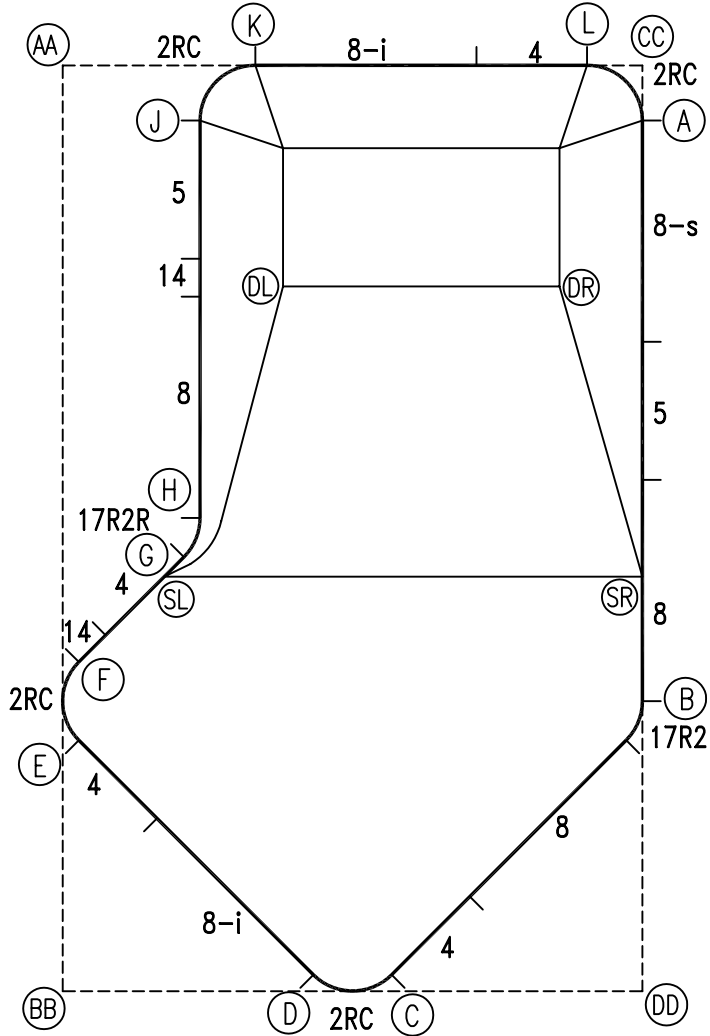
LAZY-L - LEFT 16 x 33

DRAWING REFERENCE #  
18-16-33-1

DRAWN BY: JB  
REV. 7 DEC 2006  
SHEET 1 OF 2

EXTERNAL INSTALLATION DATA

AA TO:	BB TO:	CC TO:	DD TO:
AA ---	AA 33'-5 7/8"	AA 20'-11 5/8"	AA 39'-6 1/8"
BB ---	BB ---	BB 39'-6 1/8"	BB 20'-11 5/8"
CC ---	CC ---	CC ---	CC 33'-5 7/8"
A 21'-0 3/4"	A 37'-10"	A 1'-11 7/8"	A 31'-5 7/8"
B 31'-1 3/8"	B 23'-5 3/8"	B 22'-11 7/8"	B 10'-5 7/8"
C 34'-11 3/4"	C 11'-10 7/8"	C 34'-1 1/2"	C 9'-1 1/8"
D 34'-1 1/2"	D 9'-1 1/8"	D 34'-11 3/4"	D 11'-10 7/8"
E 24'-4 7/8"	E 9'-1 1/8"	E 31'-9 5/8"	E 22'-3 3/4"
F 21'-7"	F 11'-11"	F 29'-8 1/4"	F 23'-7 1/4"
G 18'-3 3/4"	G 16'-3 5/8"	G 24'-3 3/4"	G 22'-10 1/8"
H 17'-1 1/4"	H 17'-9 7/8"	H 22'-10 5/8"	H 23'-5 1/4"
J 5'-4 1/4"	J 31'-10 5/8"	J 16'-1 1/2"	J 35'-3 7/8"
K 6'-11 5/8"	K 34'-2 1/2"	K 14'-0"	K 36'-3 1/2"
L 18'-11 5/8"	L 38'-5 7/8"	L 2'-0"	L 33'-6 1/2"
SL 18'-10 1/4"	SL 15'-5 1/4"	SL 25'-3 7/8"	SL 22'-10 3/4"
SR 27'-11 1/2"	SR 25'-9 3/8"	SR 18'-5 7/8"	SR 14'-11 7/8"
DL 11'-3 1/2"	DL 26'-8 1/2"	DL 15'-3 1/8"	DL 28'-7 3/8"
DR 19'-8"	DR 31'-2 1/4"	DR 8'-6 1/2"	DR 25'-8"



0' 5' 10'  
SCALE

NOTICE

SWIMMING POOLS AND ACCESSORIES (INCLUDING DIVING BOARDS) ARE DANGEROUS WHEN IMPROPERLY USED OR INSTALLED. IT IS THE RESPONSIBILITY OF MUNICIPAL OFFICIALS, BUILDERS AND POOL OWNERS TO ADHERE TO ALL SAFETY RECOMMENDATIONS AND STANDARDS ISSUED BY THE POOL & HOT TUB COUNCIL, LOCAL AUTHORITIES AND EQUIPMENT MANUFACTURERS. PLEASE REFER TO DIVING BOARD MANUFACTURERS FOR CORRECT POSITIONING AND INSTALLATION OF DIVING EQUIPMENT.

AQUAPRO

LAZY-L - LEFT 16 x 33

DRAWING REFERENCE #  
18-16-33-1

DRAWN BY: JB  
REV. 7 DEC 2006  
SHEET 2 OF 2